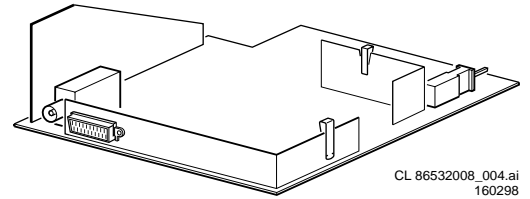


Service
 Service
Service



CL 86532008_004.ai
 160298

Service Manual

Table of contents		Page
1	Technical specifications	2
	Location of panels	
2	Connection facilities	3
3	Safety instructions, Warnings and Notes	4
4	Mechanical instructions	6
5	Repair facilities	7
	Software adjustments and Hotel mode	
6	Fault finding tree	13
	Block diagram,	14
	Survey of testpoints	15
	Diagram supply voltages survey	15
7	Electrical Diagrams and print lay-outs	
		<i>Diagram PWB</i>
	Power supply diagram A1	16 17,19
	Sync, Horizontal + Vertical output diagram A2	18 17,19
	Tuner, IF, Video, Chroma diagram A3	20 17,19
	Control diagram A4	21 17,19
	Sound processing, Sound interfacediagram A5	22 17,19
	CRT panel diagram B	23 23
	Sound Multi-mono panel diagram C	24 25
	Sound Nicam-2CS panel diagram D	26 25
8	Electrical adjustments	27
9	Circuit diagram description (new circuits)	29
10	Directions for use	32
11	List of abbreviations	36
12	Spareparts list	37

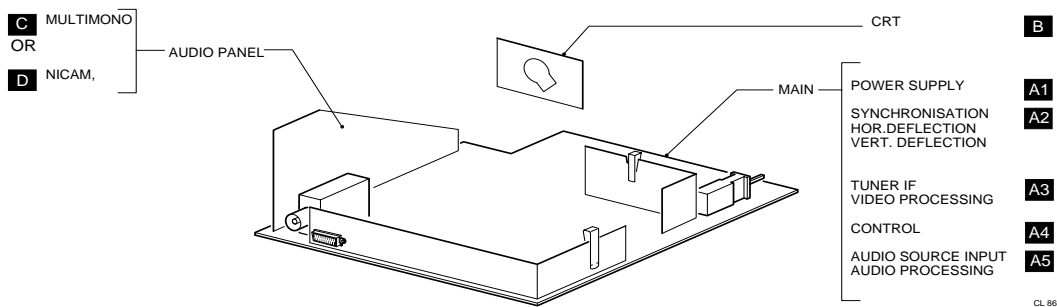
©Copyright reserved 1998 Philips Consumer Electronics B.V. Eindhoven, The Netherlands. All rights reserved. No part of this publication may be reproduced, stored in a retrieval system or transmitted, in any form or by any means, electronic, mechanical, photocopying, or otherwise without the prior permission of Philips.

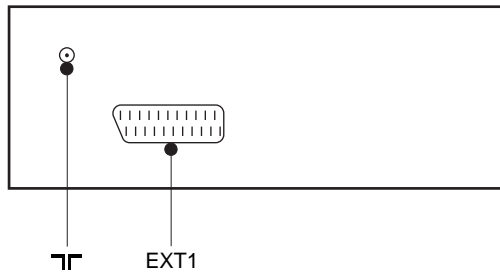
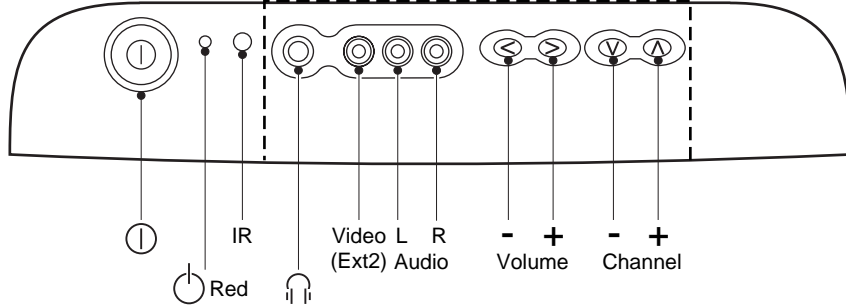


1 Technical specifications

Mains Voltage:	: 220 - 240 V AC
	: (+/- 10%)
Power consumption	: 17" 50 W
	: (stand by < 7 W)
	: 21" 57 W
	: (stand by < 7 W)
Pull in range colour sync	: +/- 300 Hz
Pull in range horizontal sync	: +/- 600 Hz
Pull in range vertical sync	: 45 - 64.5 Hz

Location of panels





CL86532008_008.ai
170298

2.1 Cinch

- Video 1Vpp/75Ω
- Audio L(0.5Vrms ≥10kΩ)
- Audio R(0.5Vrms ≥10kΩ)



4.5-7V:EXT 16:9

2.2 Head phone

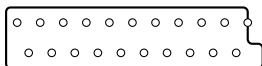
- (32-600Ω ≥10mW)



9.5-12V:EXT 4:3

- 9- Green
- 10-
- 11- Green (0.7Vpp/75Ω)
- 12-
- 13- Red
- 14- RGB-status
- 15- Red (0.7Vpp/75Ω)
- 16- RGB-status (0-0.4V:INT)

2.3 Euroconnector



- 1- Audio R (0.5Vrms ≤1kΩ)
- 2- Audio R (0.5Vrms ≥10kΩ)
- 3- Audio L (0.5Vrms ≤1kΩ)
- 4- Audio L (0.5Vrms ≥10kΩ)
- 5- Blue (0.7Vpp/75Ω)
- 6- Audio L (0.5Vrms ≥10kΩ)
- 7- Blue (0.7Vpp/75Ω)
- 8- CVBS-status 0-1.3V:INT



1-3V:EXT/75Ω)

- 17- CVBS
- 18- CVBS
- 19- CVBS (1Vpp/75Ω)
- 20- CVBS (1Vpp/75Ω)
- 21- Earth socket



3 Safety instructions, Maintenance instruction,

3.1 Safety instructions for repairs



Figure 3-1

1. Safety regulations require that during a repair:
 - the set should be connected to the mains via an isolating transformer;
 - safety components, indicated by the symbol (see fig. 3.1), should be replaced by components identical to the original ones;
 - when replacing the CRT, safety goggles must be worn.

2. Safety regulations require that after a repair the set must be returned in its original condition. In particular attention should be paid to the following points.

- As a strict precaution, we advise you to resolder the solder joints through which the horizontal deflection current is flowing, in particular:
 - all pins of the line output transformer (LOT);
 - fly-back capacitor(s);
 - S-correction capacitor(s);
 - line output transistor;
 - pins of the connector with wires to the deflection coil;
 - other components through which the deflection current flows.

Note: This resoldering is advised to prevent bad connections due to metal fatigue in solder joints and is therefore only necessary for television sets older than 2 years. The wire trees and EHT cable should be routed correctly and fixed with the mounted cable clamps.

- The insulation of the mains lead should be checked for external damage.
- The mains lead strain relief should be checked for its function in order to avoid touching the CRT, hot components or heat sinks.
- The electrical DC resistance between the mains plug and the secondary side should be checked (only for sets which have a mains isolated power supply). This check can be done as follows:
 - unplug the mains cord and connect a wire between the two pins of the mains plug;
 - set the mains switch to the on position (keep the mains cord unplugged!);
 - measure the resistance value between the pins of the mains plug and the metal shielding of the tuner or the aerial connection on the set. The reading should be between 4.5 MW and 12 MW;
 - switch off the TV and remove the wire between the two pins of the mains plug.
- The cabinet should be checked for defects to avoid touching of any inner parts by the customer.

- When the set is used in circumstances with higher dust, grease or moisture levels, for example in a kitchen, the recommended interval is 1 year.
- The maintenance inspection contains the following actions:
 - Execute the above mentioned 'general repair instruction'.
 - Clean the power supply and deflection circuitry on the chassis.
 - Clean the picture tube panel and the neck of the picture tube.

3.3 Warnings



1. ESD

All ICs and many other semiconductors are susceptible to electrostatic discharges (ESD). Careless handling during repair can reduce life drastically. When repairing, make sure that you are connected with the same potential as the mass of the set by a wristband with resistance. Keep components and tools also at this same potential.

- Available ESD protection equipment:
 - anti-static table mat (large 1200x650x1.25mm) 4822 466 10953
 - anti-static table mat (small 600x650x1.25mm) 4822 466 10958
 - anti-static wristband 4822 395 10223
 - connection box (3 press stud connections, 1 M ohm) 4822 320 11307
 - extension cable (2 m, 2 M ohm; to connect wristband to connection box) 4822 320 11305
 - connecting cable (3 m, 2 M ohm; to connect table mat to connection box) 4822 320 11306
 - earth cable (1 M ohm; to connect any product to mat or connection box) 4822 320 11308
 - complete kit ESD3 (combining all 6 prior products - small table mat) 4822 310 10671
 - wristband tester 4822 344 13999

2. In order to prevent damage to ICs and transistors, all high-voltage flashovers must be avoided. In order to prevent damage to the picture tube, the method shown in Fig. 3.2 should be used to discharge the picture tube. Use a high-voltage probe and a multimeter (position DC-V). Discharge until the meter reading is 0V (after approx. 30s).
3. Together with the deflection unit and any multipole unit, the flat square picture tubes used from an integrated unit. The deflection and the multipole units are set optimally at the factory. Adjustment of this unit during repair is therefore not recommended.
4. Be careful during measurements in the high-voltage section and on the picture tube.
5. Never replace modules or other components while the unit is switched on.
6. When making settings, use plastic rather than metal tools. This will prevent any short circuits and the danger of a circuit becoming unstable.
7. Wear safety goggles during replacement of the picture tube

3.2 Maintenance instruction

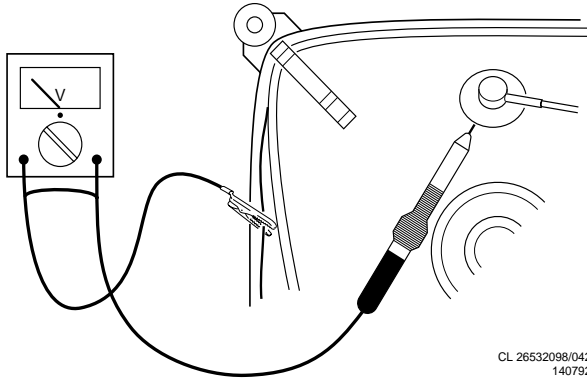
It is recommended to have a maintenance inspection carried out by a qualified service employee. The interval depends on the usage conditions:

- When the set is used under normal circumstances, for example in a living room, the recommended interval is 3 to 5 years.

3.4 Notes

1. The direct voltages and oscillograms should be measured with regard to the tuner earth, or hot earth as this is called (see fig. 3.3)
2. The direct voltages and oscillograms shown in the diagrams are indicative and should be measured in the Service Default Mode (see chapter 8) with a colour bar signal and stereo sound (L:3 kHz, R:1 kHz unless stated otherwise) and picture carrier at 475.25 MHz.

3. Where necessary, the oscillograms and direct voltages are measured with and without aerial signal. Voltages in the power supply section are measured both for normal operation and in standby. These values are indicated by means of the appropriate symbols (see fig. 3.3).
4. The picture tube PWB has printed spark gaps. Each spark gap is connected between an electrode of the picture tube and the Aquadag coating.
5. The semiconductors indicated in the circuit diagram and in the parts lists are completely interchangeable per position with the semiconductors in the unit, irrespective of the type indication on these semiconductors.



CL 26532098/042
140792

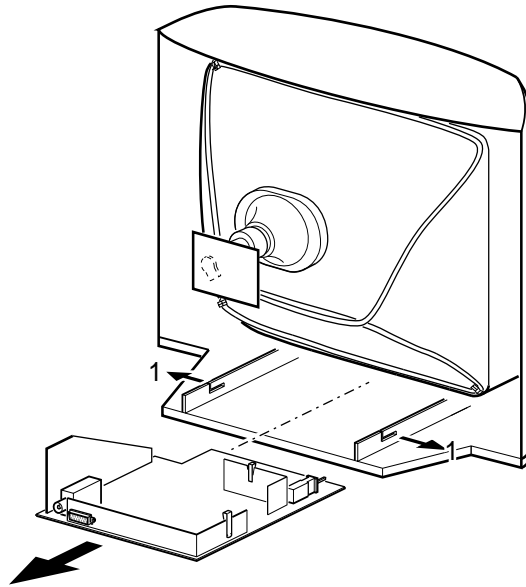
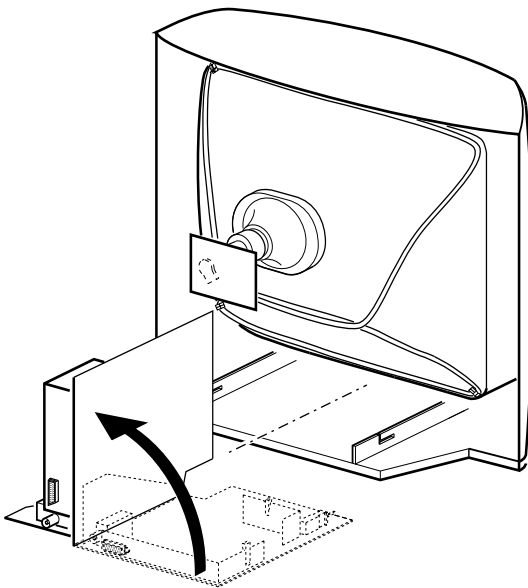
Figure 3-2

<p>⊥ tuner earth tuner aarde la masse du tuner Tuner-Erde massa del tuner tierra del sintonizador</p>	<p>⚡ hot earth hete aarde la terre directe heißen Erde massa calda tierra caliente</p>
<p>⊤ with aerial signal met antenne signaal avec signal d'antenne mit Antennensignal con segnale d'antenna con la señal de antena</p>	<p>✕ without aerial signal zonder antenne signaal sans signal d'antenne ohne Antennensignal senza segnale d'antenna sin la señal de antena</p>
<p>ⓘ normal condition normaal bedrijf fonctionnement normal normaler Betrieb funcionamiento normale funcionamiento normal</p>	<p>⏻ stand by stand by position de veille in Bereitschaft modo di attesa posición de espera</p>

Figure 3-3

4 Mechanical instructions

For the service position of the main carrier see Fig. 4.1.
The main carrier can be removed by releasing the 2 carrier blocking lips (1) and pulling the carrier panel backwards.

**A****B**

CL 86532008_007.ai
160299

Figure 4-1

5.1 Test points

The PWB boards have service printing on both sides. In the service printing test points are included. These test points are referring to the electrical function as mentioned below:

Test point Electrical function

- A1,A2, etc.: Audio
- C1,C2, etc.: Control
- F1,F2, etc.: Frame drive and frame output
- L1,L2, etc.: Line drive and line output
- P1, P2, etc.: Power supply
- S1,S2- etc.: Synchronisation
- V1,V2, etc.: Video

The numbering is done in a for diagnostics logical sequence.

Example: Checking the power supply, start with test point P1, P2 etc.).

5.2 Service mode

The service mode is split into two parts:

- Service Default Mode (SDM).
- Service Alignment Mode (SAM).

5.2.1 Entering and leaving SDM and SAM

1. Entering SDM
 - To enter the SDM , there are two possibilities:
 - Via the "DEFAULT" button on the DST (Dealer Service Tool)
 - Via short circuiting the service pins 0025 and 0024 (mass), while switching on the set via the mains switch. For 0025 and 0024 see Diagram A4 and the PWB drawing of the main panel.
 - In the SDM mode a S (in green) and the SDM menu (in red) is displayed.(see Fig.6.1).
2. Entering SAM
 - To enter the SAM , there are two possibilities.
 - Via the "ALIGN" button on the DST (Dealer Service Tool)
 - Via short circuiting the Service pins M28 and M29 (mass), while switching on the set via the mains switch. For M28 and M29 see Diagram A4 and the PWB drawing of the main panel.
 - In the SAM mode a S (in green) and the SAM main menu (in red) is displayed.(see Fig.6.2).

Remark: After the set is in the SDM or SAM mode the short circuit can be removed.

5.2.2 Leaving SDM or SAM

To leave the SDM or SAM mode , push the stand-by button on the remote control

Remark: After switching off and on by the mains switch , the set remains in the SDM or SAM mode.

5.3 Initial states

The initial state after switching on in the SDM or SAM mode is:

System:

- For Multi-Europe sets PAL-BG
- For Multi-France sets SECAM-L

Tuning:

- For sets with VST tuner: Programme number 1 is selected .

Further settings:

- The automatic switch off (no IDENT) timer and the sleep timer will be ignored.
- The child lock will be disabled.
- If the TV set was in hotel mode, this mode is disabled as long as the TV is in SDM or SAM mode.
- Brightness, saturation, sharpness, contrast and balance are initialised on 50% level.
- The volume is set to 25% level.
- The TV set is normally controllable.
- All displayed text in SDM and SAM menu are in English.

5.4 SDM (Service Default Mode)

5.4.1 SDM menu

Below in Fig.6.1 an example of the SDM menu is shown.

Between clamps a short explanation of each item is added.

001E	2.17.6	S
(life timer)	(software indication)	(service mode indication)
AS		ON
(option abbreviation)		(option status)
ERR		0 0 0 0 0
(error)		(error buffer)
OPT	36C8 B805 2401	
(option)	(12 digit option code)	

Fig.6.1

Below a more detailed information of each item is given

5.4.2 Life timer

The indication is in hexadecimal notation. Each hour the set is switched on (not standby) the number is incremented by 1. Also each time the set is switched on the number is incremented by 1.

5.4.3 Software indication number.

For each software change this number will be changed.

5.4.4 Service mode indication.

The S indicates that the set is in SDM or SAM mode.

5.4.5 ERROR and ERROR buffer

(ERR refers to the "ERROR BUFFER")

00000 represent the contents of the so called "ERROR BUFFER". This buffer consist of 5 digits. In each digit an ERROR code can be displayed. The last five errors, are stored in the EEPROM, and are shown in this buffer. An error will be added to the buffer if this error differs from the last error in the buffer. The last detected error is displayed on the most left digit.

Example: Suppose the display shows: 3 4 1 3 1. This means the last found error is error code 3; the last found error but one is error code 4, etc.

Remark: The ERROR BUFFER is erased when the set is switched from SDM or SAM in stand by, or via code 99 via DST.(Dealer service Tool).

The following error codes have been defined:

Error code	Error description	Possible defective component
0	No error	
1	Internal RAM error of æC	IC7600
2	General I2C error	
3	EEPROM Configuration error (Checksum error)	Set not correct configured
4	I2C error audio processor	MSP3410 on NICAM panel
5	I2C error TV processor	TDA8373/74
6	EEPROM error	ST24C04
7	I2C error PLL tuner	PLL tuner
8	POR bit high (43-IC7600)	

5.4.6 ERROR code indication via blinking stand by LED

The ERROR codes 2, 5 and 8 are also indicated via blinking of the stand by LED. This is important if no OSD function or picture is available.

The method is to show LED blinks as many as the error code.

Example: Error code 5 will result in five blinks (0.25 seconds ON and 0.25 seconds OFF).

After this sequence the LED will be OFF for 3 seconds.

5.4.7 Option abbreviation and Option status.

To select another option abbreviation use the MENU UP/ DOWN buttons and to change the status use the MENU LEFT/ RIGHT buttons.

Elucidation:

With above items the option statuses stored in the EEPROM can be changed.

This is necessary if the EEPROM is replaced by a fresh EEPROM, because a fresh EEPROM is initial loaded with default options and statuses by the microcomputer. The options stored in the factory can differ per type and stroke number. Therefore it is necessary to load the EEPROM with the correct statuses These options with statuses are indicated on a sticker glued on the CRT. For an example of the sticker see table 6.1 (this table is valid for 21PT1663/00).

Table 6.1

Option abbreviation	Status
AT	ON
AV	ON
BA	ON
BL	ON
CO	OFF
GM	ON
HO	ON
MT	PH
PG	ON
PR	99
SA	ON
SB	IN
SP	ON
SS	ON
SU	ON
SY	EW
TR	ON
UH	OFF
VI	OFF
XT	ON

(Table only valid for 21PT1663/00)

Loading a fresh EEPROM

- Switch on the TV via the power switch.
- Audio mute the TV (to get no big noise).
- Change the option statuses as indicated on the sticker on the CRT.
- Put TV in stand by via the remote control.
- Switch on the TV again via the remote control.

5 Repair facilities

- Switch OFF the TV via the power switch
- Switch on the TV again via the power switch.

In table 2 all the possible option abbreviation with full option name and possible statuses for "Europe" sets are listed. The status can be "ON", "OFF" or can have another indication.

Table 2 : Options

Option abbr	Option full name	Status possibilities
AT	Auto tuning system	ON/OFF
AV	AVL	ON/OFF
BA	Bass	ON/OFF
BL	Balance	ON/OFF
CO	Clock In Menu	ON/OFF
GM	Game mode	ON/OFF
HO	Hotel mode	ON/OFF
MT	Menu type	PH = Philips
		NB = National brand
		MV = Magnavox
PG	Program guide	ON/OFF
PR	Presets	99
		59
		79
SA	Spatial	ON/OFF
SB	Sound Board	IN = ITT NICAM
		IT = ITT 2CS
		MA = MONO ALL
		MM = Multi Mono
SP	Smart picture	ON/OFF
SS	Smart Sound Full	ON/OFF
SU	Surf	ON/OFF
SY	System Cluster	EW = Europe West
		EE = Europe East
		EM = Europe Manual
		SS = Single System
TR	Treble	ON/OFF
UH	UHF only	ON/OFF
VI	Virgin Mode	ON/OFF
XT	EXT 2 Available	ON/OFF

5.4.8 OPTION code

OPT is the abbreviation of OPTION, this abbreviation refers to the following 12 digit hexadecimal option codes (36C8 B805 2401)

The option code can not be selected. It only give a quick indication in hexadecimal form of the options settings of the relevant set.

5.5 SAM (Service Alignment Mode)

Via the SAM, service software alignments can be executed.

When entering SAM a main menu is displayed Via the main menu sub menus can be selected.

5.5.1 SAM main menu (see Fig. 6.2)

In the main menu the items of the basic software alignments are indicated.

The items can be selected with the UP(+)/DOWN(-) arrow keys on the remote control. Entry into the sub menus is executed with the VOL.(+)/VOL.(-) arrow keys.

SAM MAIN MENU

	S
AKB	ON
TUN.FOA	ON
TUN.FOB	ON
EXT.FOA	ON
EXT.FOB	OFF
TUNER	>
WHITE TONE	>
GEOMETRY	>

Fig.6.2

Below each item is explained.

5.5.2 AKB (Auto Kine Biasing)

With the option AKB the "black current loop" can be enabled or disabled

ON =enabled, OFF = disabled.

5.5.3 TUNER Speed setting.

With the items TUN.FAO and TUN.FOB the speed (time constant) for internal signals is set. The speed can be set to normal, slow or fast.

Table 3: Options for Tuner Speed settings

5 Repair facilities

TUN.FOA	TUN.FOB	Speed
OFF	OFF	Normal
OFF	ON	Slow
ON	X	Fast

5.5.4 EXTERNAL A/V Speed setting

With the items EXT.FAO and EXT.FOB the speed (time constant) for external signals is set. The speed can be set normal, slow and fast.

Table 4: Options for External AV Speed settings

EXT.FOA	EXT.FOB	Speed
OFF	OFF	Normal
OFF	ON	Slow
ON	X	Fast

5.5.5 Tuner

Below an example of the sub menu Tuner is shown.

Tuner	S
AGC	23
F-PLL	3
IF PLL L'	0
AFW	240 KHz
AFA	0
AFB	1

Item AGC:

For the setting of the item AGC see RF AGC adjustment paragraph 8.1.4 of chapter 8.

Item IF-PLL, IF-PLL L ACCENT, AFW, AFA and AFB,

When the main signal processor IC TDA8373/74 is changed, the IF-PLL and IF-PLL L ACCENT need to be realigned

For the settings of IF-PLL, IF-PLL L ACCENT and AFW see the picture demodulator adjustments paragraph 8.1.5 of chapter 8.

Remark: AFA and AFB are adjusting indicators and therefore not selectable.

5.5.6 White tone

Below an example of the white tone sub menu and the derived "WARM", "COOL" and "NORMAL" sub menus are given. With these menus the WARM, COOL and NORMAL colour temperatures can be changed.

MAIN WHITE TONE MENU

	S
WARM	<
COOL	<
NORMAL	<

WARM TEMPERATURE SUB MENU

WARM	S
RED	39
GREEN	39
BLUE	25

COOL TEMPERATURE SUB MENU

COOL	S
RED	39
GREEN	39
BLUE	25

NORMAL TEMPERATURE SUB MENU

NORMAL	S
RED	39
GREEN	39
BLUE	25

Remark:

Only one of the 3 items (RED, GREEN or BLUE) will be displayed on the screen. Via "scrolling with the UP/DOWN keys the items can be changed.

The item's red, green or blue can be changed by first pressing the control left/right keys to highlight the desired setting. With the desired setting high lighted, the user can increment or decrement the setting by using the control up/down key. All

changed data are stored into the EEPROM after returning to the SAM main menu via the OK key.

The initial default value for all setting is 37.

The factory settings of the colour temperatures are:

WARM; R = 45, G = 32, B = 26

NORMAL; R = 37, G = X, B = Y

COOL; R = 37, G = 32, B = 31

Remark: In NORMAL position the values X (G) and Y (B) are adjusted for 8500K colour temperature.

5.5.7 GEOMETRY

The geometry menu contains the following information:

	S
HSH	25
VSL	32
VAM	23
SC	13
VSH	27

Upon enter into the picture geometry menu, the first item will be highlighted.

The value can be incremented or decremented by pressing the control right or left key.

The rest of the parameters can be scrolled through by using the control up/down keys.

All changed data will be stored into the EEPROM after returning to the service main menu via the OK key.

Abbreviation explanation

- HSH - Horizontal shift
- VSL - Vertical linearity
- VAM - Vertical amplitude
- SC - S-correction
- VSH - Vertical shift

5.6 Use of Dealer Service Tool (DST)

With the SDM, under mentioned extra service features can be executed

- Direct entering SDM via the "DEFAULT" button on the DST.
- Direct entering SAM via the "ALIGN" button on the DST.
- In case of no (OSD) picture the error buffer can be read out using the "BLINKING LED" procedure (see also paragraph 6.7) by pressing the "DIAGNOSE" button on the DST.

Remark:

- Entry of the SDM and SAM via the DST is possible in all states, except from stand-by.

- All software is suspended till the DST mode is left.
- The dealer mode status is left if the stand-by command is received

5.7 Hotel-mode

Entering the hotel-mode :

- Select channel 38
- Push the menu button on the local keyboard (vol. + & vol. -) and the OSD-button of the RC simultaneously for 3 seconds.
- The screen shows the "HOTEL MODE SUB MENU "ON". Via this menu the wanted blanked channels can be selected.

Leaving the hotel mode :

- Same as entering the hotel mode.
- The screen shows the "HOTEL MODE SUB MENU "OFF".

Remarks:

- In the HOTEL mode the Installation menu cannot be entered.
- When entering the hotel mode the maximum volume will be the current value.
- The set will always switch to a selectable channel when set is switched on.

HOTEL MODE SUB MENU "ON"

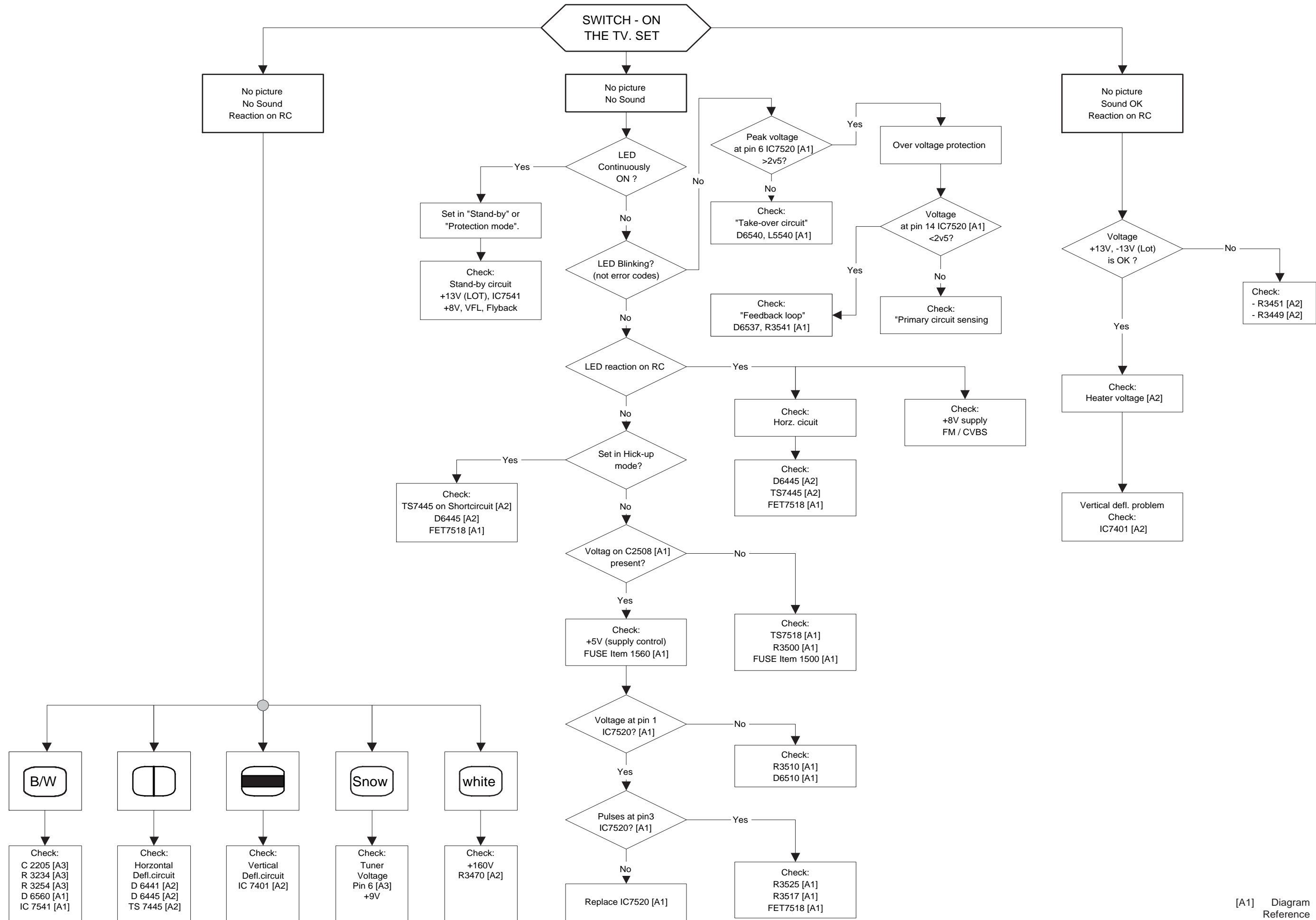
38	HOTEL ON
EXIT	>
HOTEL CHANNEL	38

HOTEL MODE SUB MENU " OFF "

38	HOTEL OFF
----	-----------

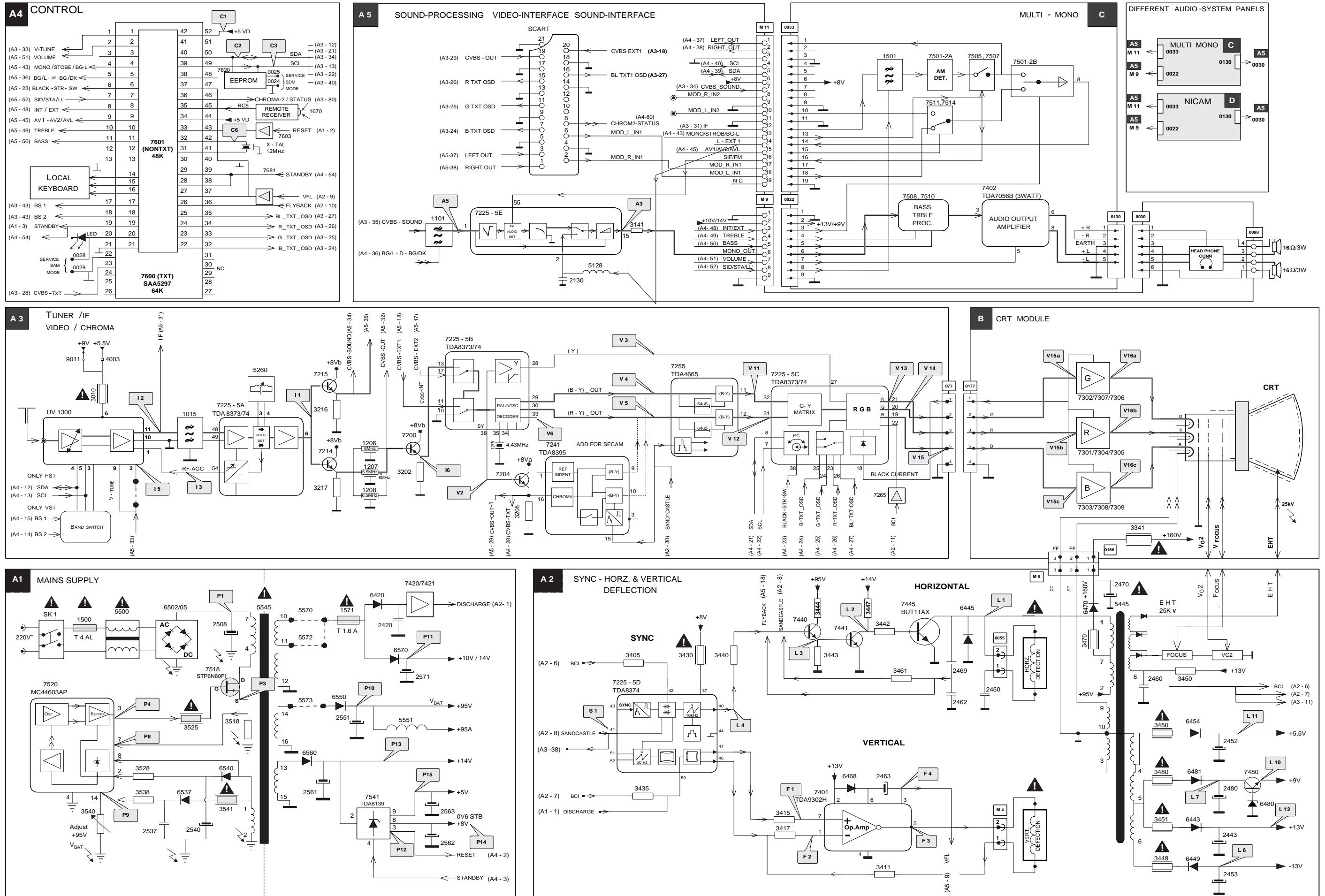
Remark: The Hotel mode can only be activated if the Hotel mode option status (HO=ON), see table 2.

6 Fault finding, Block diagram

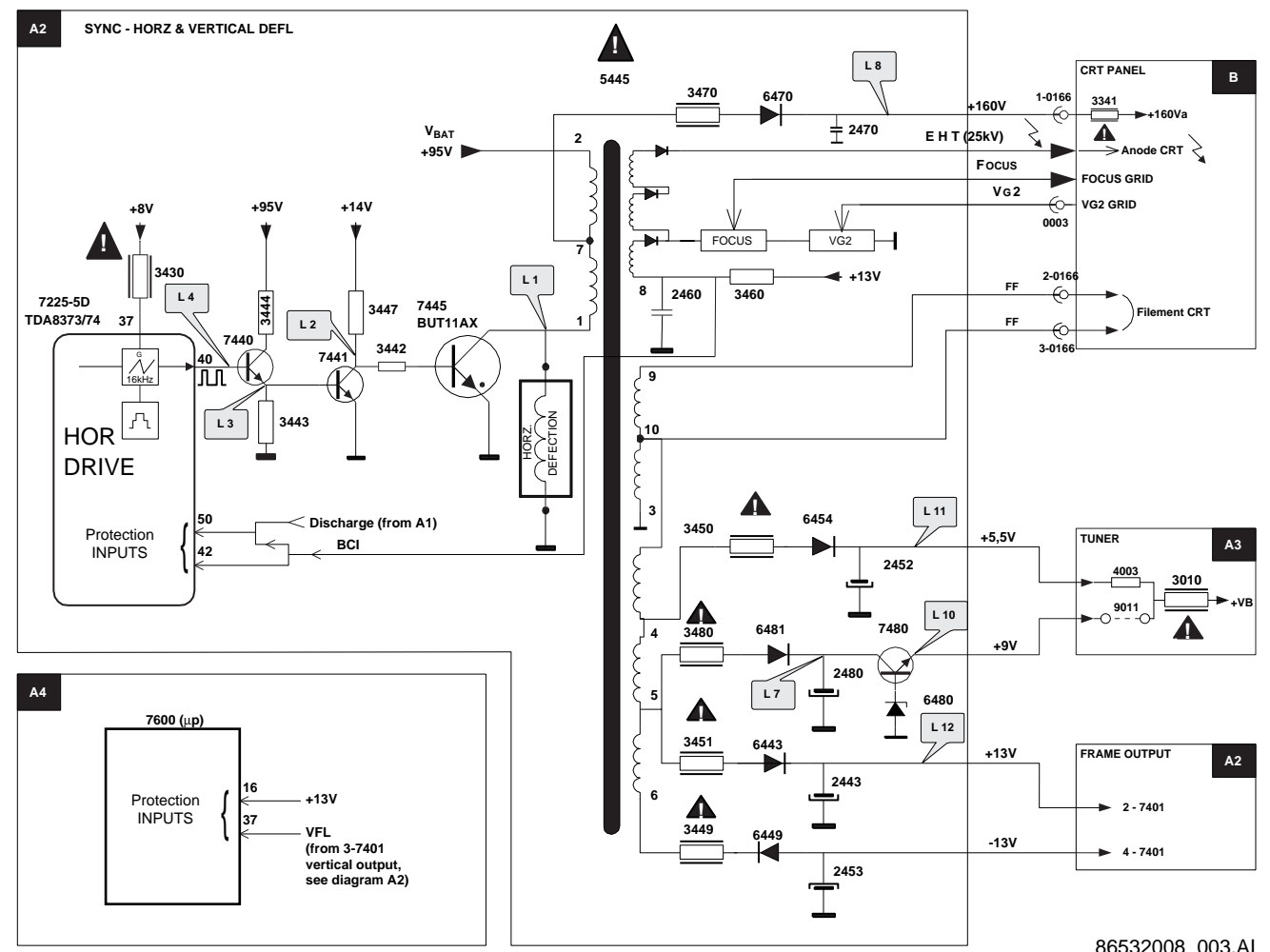
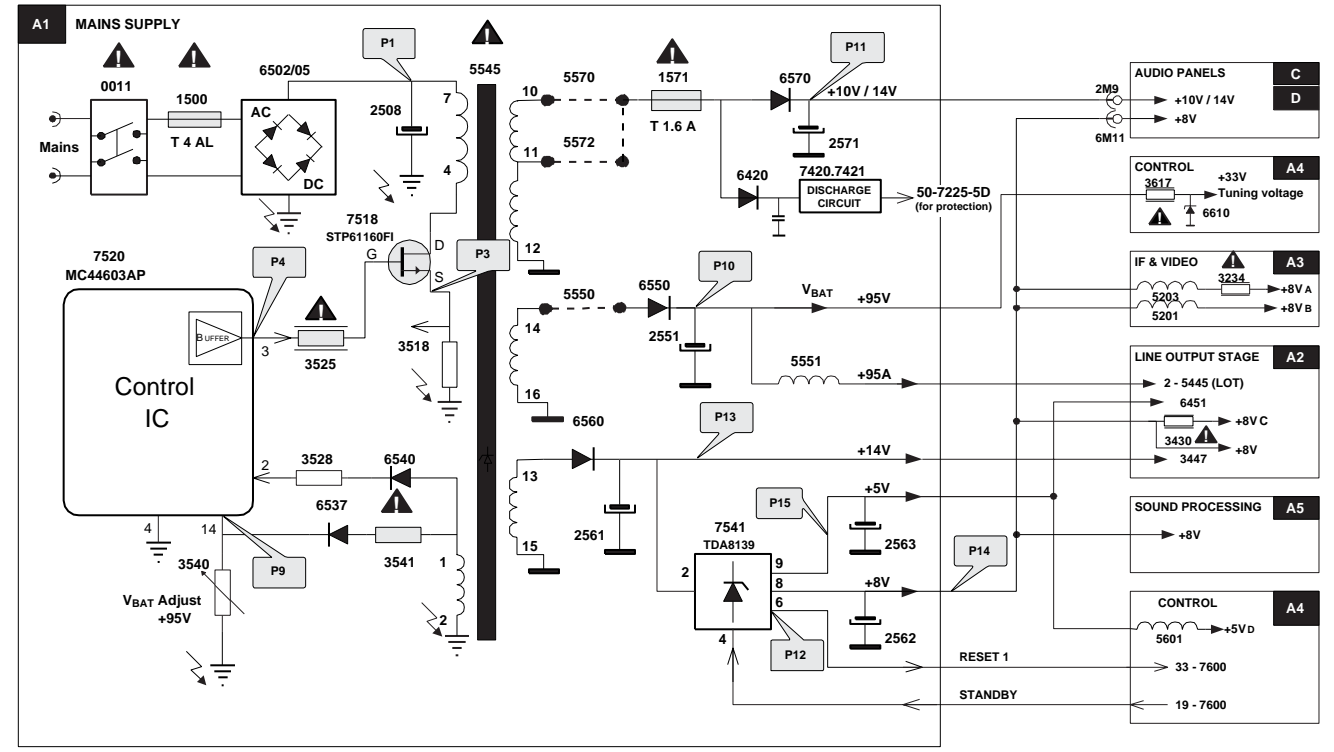
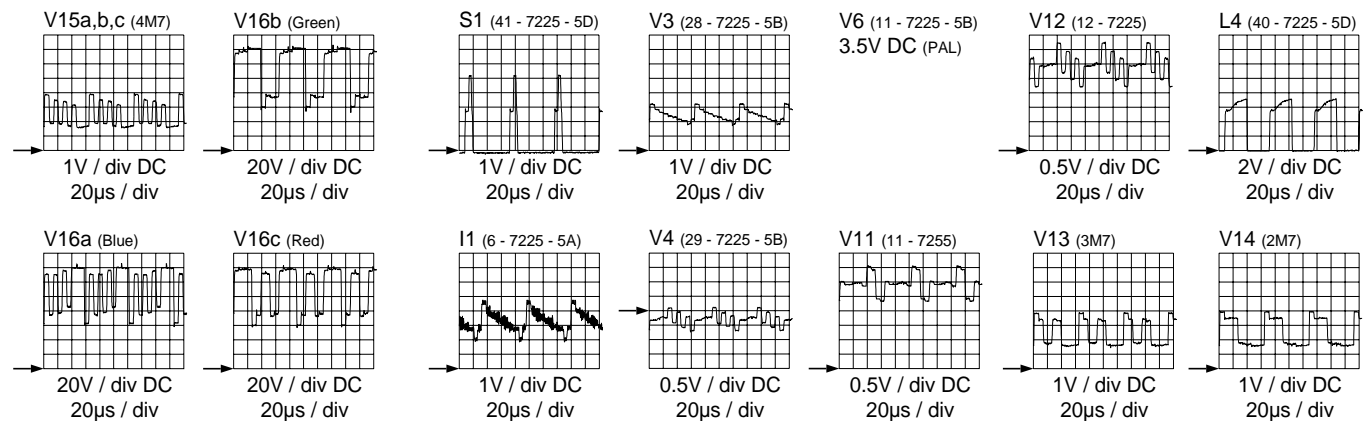
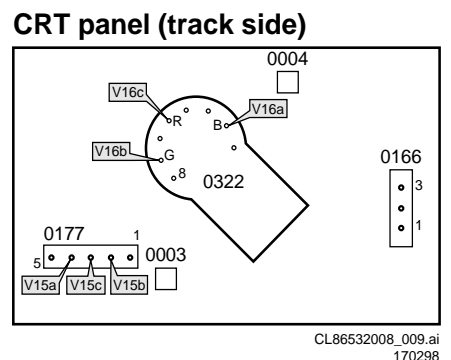
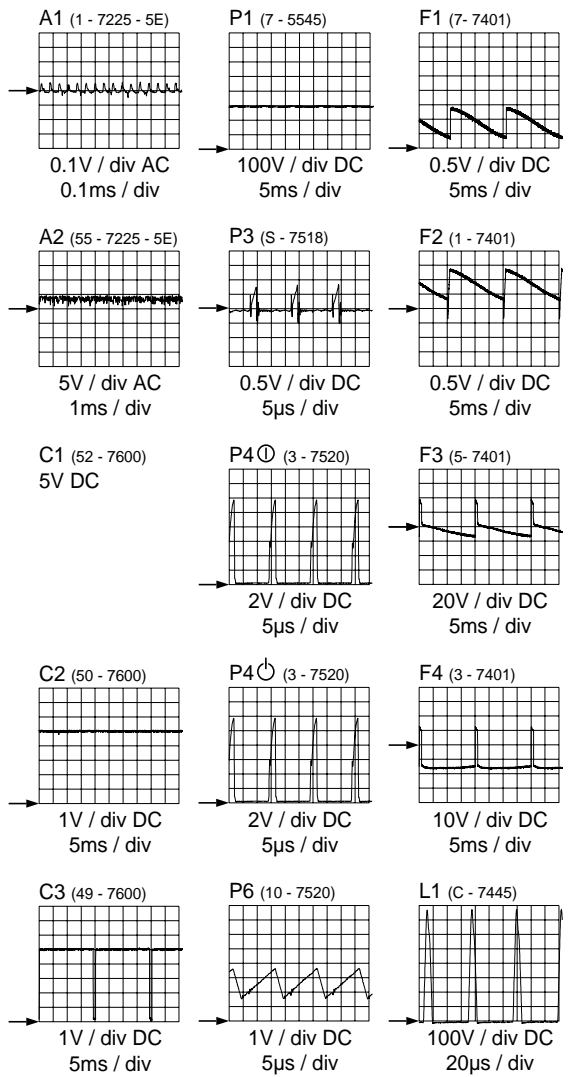
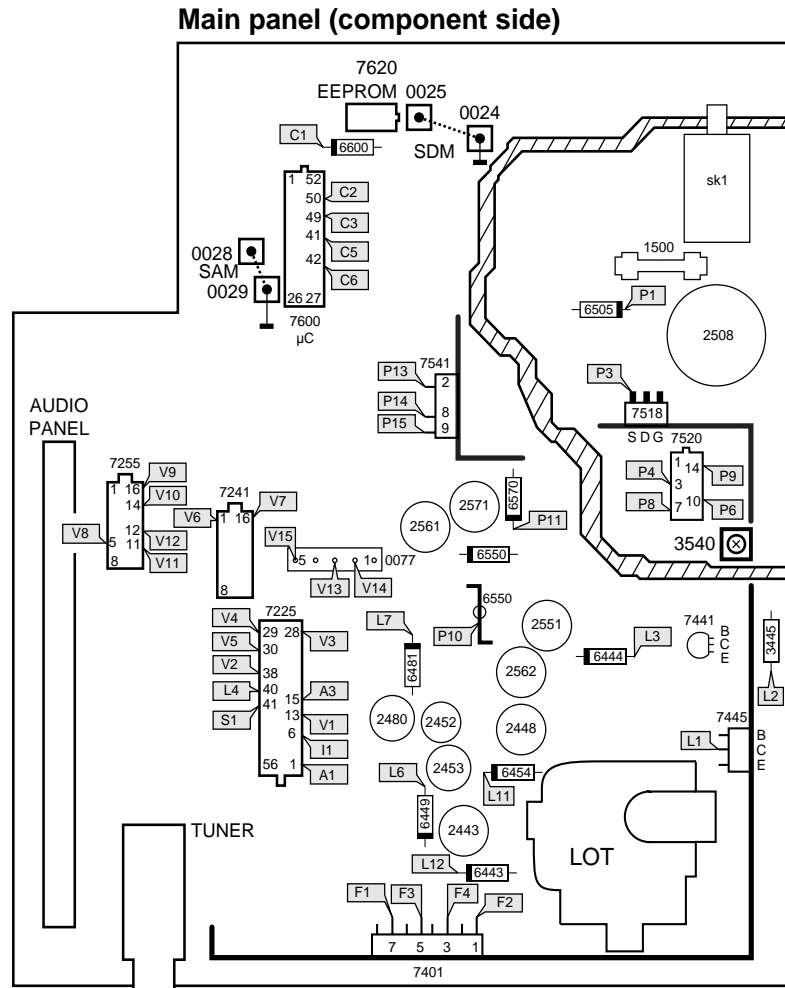


86532008_001_A1
120298

6 Fault finding, Block diagram



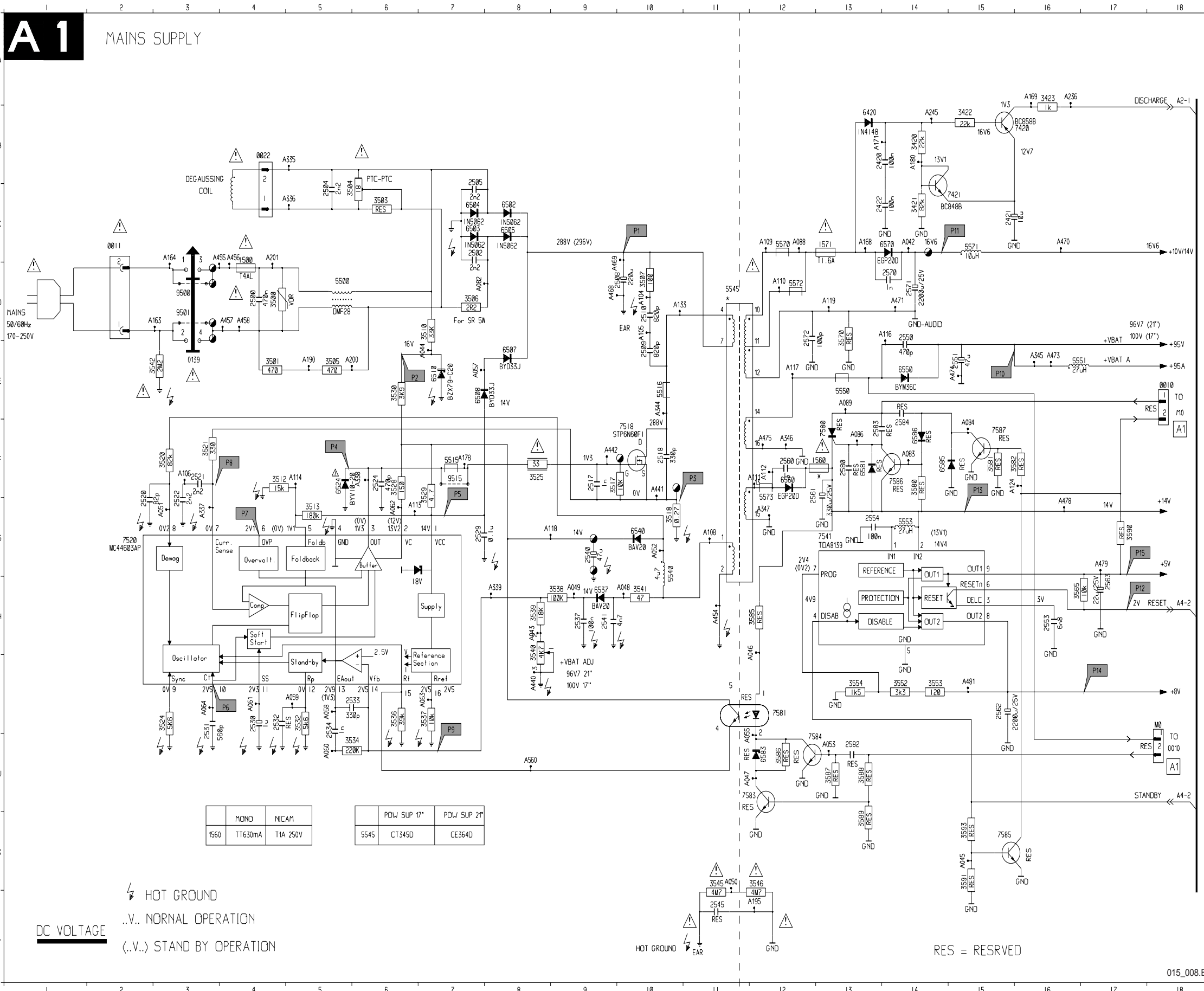
6 Fault finding, Block diagram



7 Diagrams and print lay-outs

A1

MAINS SUPPLY



MOND	NICAM	POW SUP 17"	POW SUP 21"		
1560	T1630mA	T1A 250V	5545	CT345D	CE364D

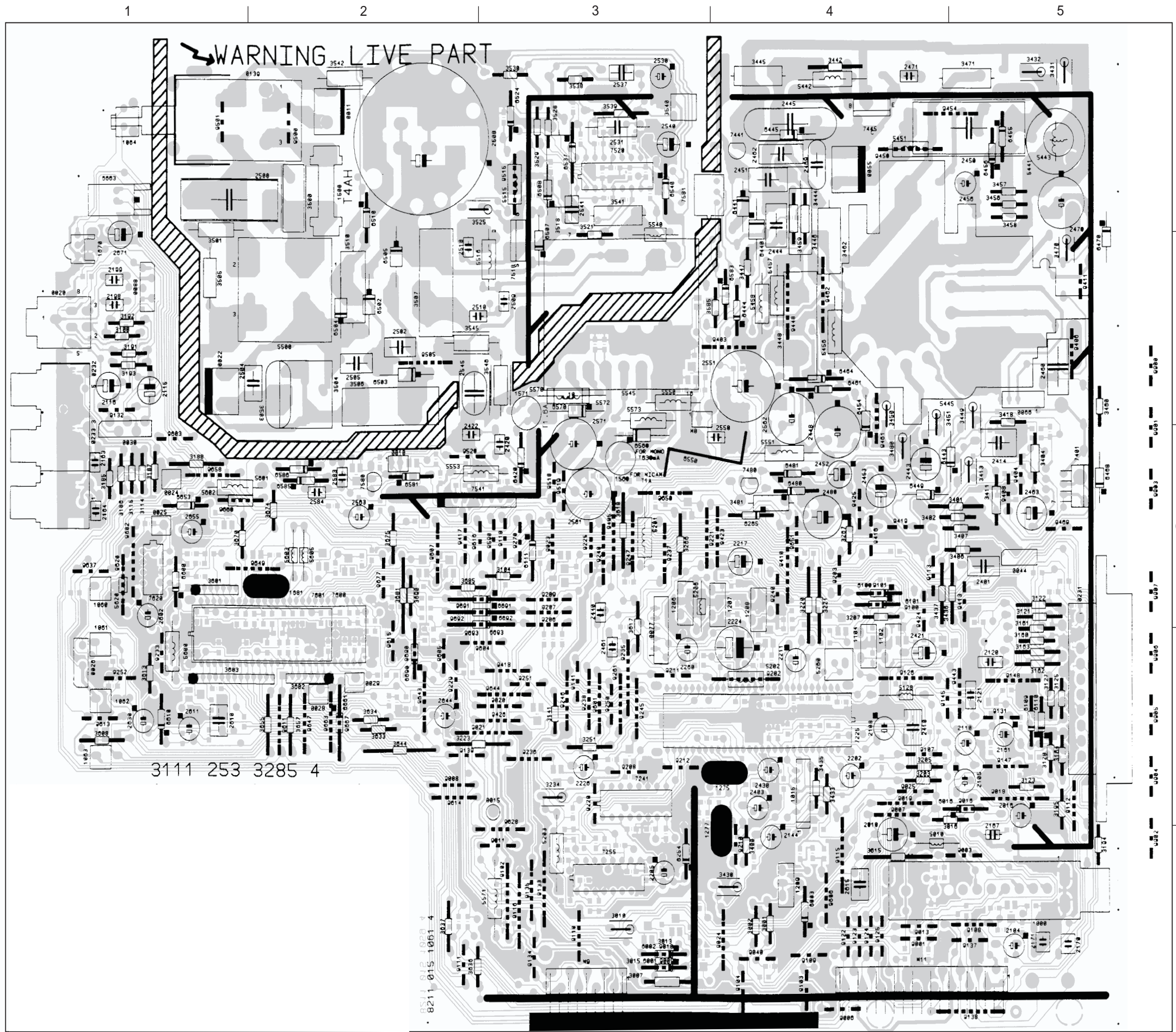
⚡ HOT GROUND
 ..V.. NORNAL OPERATION
 (..V..) STAND BY OPERATION

DC VOLTAGE

HOT GROUND EAR GND RES = RESRVED

015_008.EPS

0010 E18 7519 F10
 0010 E18 7520 G2
 0011 C22 7541 G13
 0139 E18 7581 J11
 1580 E18 7583 J12
 1571 C13 7585 K15
 2420 B13 7586 K15
 2421 C15 7587 F15
 2422 C14 7588 D13
 5020 C27 9515 F7
 5022 C27 9515 F7
 5024 C57 A042 C14
 5025 C7 A043 H8
 5026 E18 A044 E7
 5027 E18 A045 K15
 5028 D10 A046 H12
 5029 F10 A047 J11
 5030 F10 A048 H10
 5031 F10 A049 H9
 5032 G3 A051 G3
 5033 F16 A052 G10
 5034 F16 A053 J11
 5035 F16 A054 E7
 5036 F16 A055 J11
 5037 F16 A056 E7
 5038 F16 A057 E7
 5039 F16 A058 J15
 5040 G9 A059 J5
 5041 H9 A063 J7
 5042 L11 A064 I3
 5043 E14 A062 D7
 5044 F14 A065 F14
 5045 G13 A066 F13
 5046 G13 A067 C12
 5047 F12 A068 C12
 5048 F12 A069 D10
 5049 F12 A070 D10
 5050 F12 A071 D10
 5051 F12 A072 D10
 5052 F12 A073 D10
 5053 F12 A074 D10
 5054 F12 A075 D10
 5055 F12 A076 D10
 5056 F12 A077 D10
 5057 F12 A078 D10
 5058 F12 A079 D10
 5059 F12 A080 D10
 5060 F12 A081 D10
 5061 F12 A082 D10
 5062 F12 A083 D10
 5063 F12 A084 D10
 5064 F12 A085 D10
 5065 F12 A086 D10
 5066 F12 A087 D10
 5067 F12 A088 D10
 5068 F12 A089 D10
 5069 F12 A090 D10
 5070 F12 A091 D10
 5071 F12 A092 D10
 5072 F12 A093 D10
 5073 F12 A094 D10
 5074 F12 A095 D10
 5075 F12 A096 D10
 5076 F12 A097 D10
 5077 F12 A098 D10
 5078 F12 A099 D10
 5079 F12 A100 D10
 5080 F12 A101 D10
 5081 F12 A102 D10
 5082 F12 A103 D10
 5083 F12 A104 D10
 5084 F12 A105 D10
 5085 F12 A106 D10
 5086 F12 A107 D10
 5087 F12 A108 D10
 5088 F12 A109 D10
 5089 F12 A110 D10
 5090 F12 A111 D10
 5091 F12 A112 D10
 5092 F12 A113 D10
 5093 F12 A114 D10
 5094 F12 A115 D10
 5095 F12 A116 D10
 5096 F12 A117 D10
 5097 F12 A118 D10
 5098 F12 A119 D10
 5099 F12 A120 D10
 5100 F12 A121 D10
 5101 F12 A122 D10
 5102 F12 A123 D10
 5103 F12 A124 D10
 5104 F12 A125 D10
 5105 F12 A126 D10
 5106 F12 A127 D10
 5107 F12 A128 D10
 5108 F12 A129 D10
 5109 F12 A130 D10
 5110 F12 A131 D10
 5111 F12 A132 D10
 5112 F12 A133 D10
 5113 F12 A134 D10
 5114 F12 A135 D10
 5115 F12 A136 D10
 5116 F12 A137 D10
 5117 F12 A138 D10
 5118 F12 A139 D10
 5119 F12 A140 D10
 5120 F12 A141 D10
 5121 F12 A142 D10
 5122 F12 A143 D10
 5123 F12 A144 D10
 5124 F12 A145 D10
 5125 F12 A146 D10
 5126 F12 A147 D10
 5127 F12 A148 D10
 5128 F12 A149 D10
 5129 F12 A150 D10
 5130 F12 A151 D10
 5131 F12 A152 D10
 5132 F12 A153 D10
 5133 F12 A154 D10
 5134 F12 A155 D10
 5135 F12 A156 D10
 5136 F12 A157 D10
 5137 F12 A158 D10
 5138 F12 A159 D10
 5139 F12 A160 D10
 5140 F12 A161 D10
 5141 F12 A162 D10
 5142 F12 A163 D10
 5143 F12 A164 D10
 5144 F12 A165 D10
 5145 F12 A166 D10
 5146 F12 A167 D10
 5147 F12 A168 D10
 5148 F12 A169 D10
 5149 F12 A170 D10
 5150 F12 A171 D10
 5151 F12 A172 D10
 5152 F12 A173 D10
 5153 F12 A174 D10
 5154 F12 A175 D10
 5155 F12 A176 D10
 5156 F12 A177 D10
 5157 F12 A178 D10
 5158 F12 A179 D10
 5159 F12 A180 D10
 5160 F12 A181 D10
 5161 F12 A182 D10
 5162 F12 A183 D10
 5163 F12 A184 D10
 5164 F12 A185 D10
 5165 F12 A186 D10
 5166 F12 A187 D10
 5167 F12 A188 D10
 5168 F12 A189 D10
 5169 F12 A190 D10
 5170 F12 A191 D10
 5171 F12 A192 D10
 5172 F12 A193 D10
 5173 F12 A194 D10
 5174 F12 A195 D10
 5175 F12 A196 D10
 5176 F12 A197 D10
 5177 F12 A198 D10
 5178 F12 A199 D10
 5179 F12 A200 D10
 5180 F12 A201 D10
 5181 F12 A202 D10
 5182 F12 A203 D10
 5183 F12 A204 D10
 5184 F12 A205 D10
 5185 F12 A206 D10
 5186 F12 A207 D10
 5187 F12 A208 D10
 5188 F12 A209 D10
 5189 F12 A210 D10
 5190 F12 A211 D10
 5191 F12 A212 D10
 5192 F12 A213 D10
 5193 F12 A214 D10
 5194 F12 A215 D10
 5195 F12 A216 D10
 5196 F12 A217 D10
 5197 F12 A218 D10
 5198 F12 A219 D10
 5199 F12 A220 D10
 5200 F12 A221 D10
 5201 F12 A222 D10
 5202 F12 A223 D10
 5203 F12 A224 D10
 5204 F12 A225 D10
 5205 F12 A226 D10
 5206 F12 A227 D10
 5207 F12 A228 D10
 5208 F12 A229 D10
 5209 F12 A230 D10
 5210 F12 A231 D10
 5211 F12 A232 D10
 5212 F12 A233 D10
 5213 F12 A234 D10
 5214 F12 A235 D10
 5215 F12 A236 D10
 5216 F12 A237 D10
 5217 F12 A238 D10
 5218 F12 A239 D10
 5219 F12 A240 D10
 5220 F12 A241 D10
 5221 F12 A242 D10
 5222 F12 A243 D10
 5223 F12 A244 D10
 5224 F12 A245 D10
 5225 F12 A246 D10
 5226 F12 A247 D10
 5227 F12 A248 D10
 5228 F12 A249 D10
 5229 F12 A250 D10
 5230 F12 A251 D10
 5231 F12 A252 D10
 5232 F12 A253 D10
 5233 F12 A254 D10
 5234 F12 A255 D10
 5235 F12 A256 D10
 5236 F12 A257 D10
 5237 F12 A258 D10
 5238 F12 A259 D10
 5239 F12 A260 D10
 5240 F12 A261 D10
 5241 F12 A262 D10
 5242 F12 A263 D10
 5243 F12 A264 D10
 5244 F12 A265 D10
 5245 F12 A266 D10
 5246 F12 A267 D10
 5247 F12 A268 D10
 5248 F12 A269 D10
 5249 F12 A270 D10
 5250 F12 A271 D10
 5251 F12 A272 D10
 5252 F12 A273 D10
 5253 F12 A274 D10
 5254 F12 A275 D10
 5255 F12 A276 D10
 5256 F12 A277 D10
 5257 F12 A278 D10
 5258 F12 A279 D10
 5259 F12 A280 D10
 5260 F12 A281 D10
 5261 F12 A282 D10
 5262 F12 A283 D10
 5263 F12 A284 D10
 5264 F12 A285 D10
 5265 F12 A286 D10
 5266 F12 A287 D10
 5267 F12 A288 D10
 5268 F12 A289 D10
 5269 F12 A290 D10
 5270 F12 A291 D10
 5271 F12 A292 D10
 5272 F12 A293 D10
 5273 F12 A294 D10
 5274 F12 A295 D10
 5275 F12 A296 D10
 5276 F12 A297 D10
 5277 F12 A298 D10
 5278 F12 A299 D10
 5279 F12 A300 D10
 5280 F12 A301 D10
 5281 F12 A302 D10
 5282 F12 A303 D10
 5283 F12 A304 D10
 5284 F12 A305 D10
 5285 F12 A306 D10
 5286 F12 A307 D10
 5287 F12 A308 D10
 5288 F12 A309 D10
 5289 F12 A310 D10
 5290 F12 A311 D10
 5291 F12 A312 D10
 5292 F12 A313 D10
 5293 F12 A314 D10
 5294 F12 A315 D10
 5295 F12 A316 D10
 5296 F12 A317 D10
 5297 F12 A318 D10
 5298 F12 A319 D10
 5299 F12 A320 D10
 5300 F12 A321 D10
 5301 F12 A322 D10
 5302 F12 A323 D10
 5303 F12 A324 D10
 5304 F12 A325 D10
 5305 F12 A326 D10
 5306 F12 A327 D10
 5307 F12 A328 D10
 5308 F12 A329 D10
 5309 F12 A330 D10
 5310 F12 A331 D10
 5311 F12 A332 D10
 5312 F12 A333 D10
 5313 F12 A334 D10
 5314 F12 A335 D10
 5315 F12 A336 D10
 5316 F12 A337 D10
 5317 F12 A338 D10
 5318 F12 A339 D10
 5319 F12 A340 D10
 5320 F12 A341 D10
 5321 F12 A342 D10
 5322 F12 A343 D10
 5323 F12 A344 D10
 5324 F12 A345 D10
 5325 F12 A346 D10
 5326 F12 A347 D10
 5327 F12 A348 D10
 5328 F12 A349 D10
 5329 F12 A350 D10
 5330 F12 A351 D10
 5331 F12 A352 D10
 5332 F12 A353 D10
 5333 F12 A354 D10
 5334 F12 A355 D10
 5335 F12 A356 D10
 5336 F12 A357 D10
 5337 F12 A358 D10
 5338 F12 A359 D10
 5339 F12 A360 D10
 5340 F12 A361 D10
 5341 F12 A362 D10
 5342 F12 A363 D10
 5343 F12 A364 D10
 5344 F12 A365 D10
 5345 F12 A366 D10
 5346 F12 A367 D10
 5347 F12 A368 D10
 5348 F12 A369 D10
 5349 F12 A370 D10
 5350 F12 A371 D10
 5351 F12 A372 D10
 5352 F12 A373 D10
 5353 F12 A374 D10
 5354 F12 A375 D10
 5355 F12 A376 D10
 5356 F12 A377 D10
 5357 F12 A378 D10
 5358 F12 A379 D10
 5359 F12 A380 D10
 5360 F12 A381 D10
 5361 F12 A382 D10
 5362 F12 A383 D10
 5363 F12 A384 D10
 5364 F12 A385 D10
 5365 F12 A386 D10
 5366 F12 A387 D10
 5367 F12 A388 D10
 5368 F12 A389 D10
 5369 F12 A390 D10
 5370 F12 A391 D10
 5371 F12 A392 D10
 5372 F12 A393 D10
 5373 F12 A394 D10
 5374 F12 A395 D10
 5375 F12 A396 D10
 5376 F12 A397 D10
 5377 F12 A398 D10
 5378 F12 A399 D10
 5379 F12 A400 D10
 5380 F12 A401 D10
 5381 F12 A402 D10
 5382 F12 A403 D10
 5383 F12 A404 D10
 5384 F12 A405 D10
 5385 F12 A406 D10
 5386 F12 A407 D10
 5387 F12 A408 D10
 5388 F12 A409 D10
 5389 F12 A410 D10
 5390 F12 A411 D10
 5391 F12 A412 D10
 5392 F12 A413 D10
 5393 F12 A414 D10
 5394 F12 A415 D10
 5395 F12 A416 D10
 5396 F12 A417 D10
 5397 F12 A418 D10
 5398 F12 A419 D10
 5399 F12 A420 D10
 5400 F12 A421 D10
 5401 F12 A422 D10
 5402 F12 A423 D10
 5403 F12 A424 D10
 5404 F12 A425 D10
 5405 F12 A426 D10
 5406 F12 A427 D10
 5407 F12 A428 D10
 5408 F12 A429 D10
 5409 F12 A430 D10
 5410 F12 A431 D10
 5411 F12 A432 D10
 5412 F12 A433 D10
 5413 F12 A434 D10
 5414 F12 A435 D10
 5415 F12 A436 D10
 5416 F12 A437 D10
 5417 F12 A438 D10
 5418 F12 A439 D10
 5419 F12 A440 D10
 5420 F12 A441 D10
 5421 F12 A442 D10
 5422 F12 A443 D10
 5423 F12 A444 D10
 5424 F12 A445 D10
 5425 F12 A446 D10
 5426 F12 A447 D10
 5427 F12 A448 D10
 5428 F12 A449 D10
 5429 F12 A450 D10
 5430 F12 A451 D10
 5431 F12 A452 D10
 5432 F12 A453 D10
 5433 F12 A454 D10
 5434 F12 A455 D10
 5435 F12 A456 D10
 5436 F12 A457 D10
 5437 F12 A458 D10
 5438 F12 A459 D10
 5439 F12 A460 D10
 5440 F12 A461 D10
 5441 F12 A462 D10
 5442 F12 A463 D10
 5443 F12 A464 D10
 5444 F12 A465 D10
 5445 F12 A466 D10
 5446 F12 A467 D10
 5447 F12 A468 D10
 5448 F12 A469 D10
 5449 F12 A470 D10
 5450 F12 A471 D10
 5451 F12 A472 D10
 5452 F12 A473 D10
 5453 F12 A474 D10
 5454 F12 A475 D10
 5455 F12 A476 D10
 5456 F12 A477 D10
 5457 F12 A478 D10
 5458 F12 A479 D10
 5459 F12 A480 D10
 5460 F12 A481 D10
 5461 F12 A482 D10
 5462 F12 A483 D10
 5463 F12 A484 D10
 5464 F12 A485 D10
 5465 F12 A486 D10
 5466 F12 A487 D10
 5467 F12 A488 D10
 5468 F12 A489 D10
 5469 F12 A490 D10
 5470 F12 A491 D10
 5471 F12 A492 D10
 5472 F12 A493 D10
 5473 F12 A494 D10
 5474 F12 A495 D10
 5475 F12 A496 D10
 5476 F12 A497 D10
 5477 F12 A498 D10
 5478 F12 A499 D10
 5479 F12 A500 D10
 5480 F12 A501 D10
 5481 F12 A502 D10
 5482 F12 A503 D10
 5483 F12 A504 D10
 5484 F12 A505 D10
 5485 F12 A506 D10
 5486 F12 A507 D10
 5487 F12 A508 D10
 5488 F12 A509 D10
 5489 F12 A510 D10
 5490 F12 A511 D10
 5491 F12 A512 D10
 5492 F12 A513 D10
 5493 F12 A514 D10
 5494 F12 A515 D10
 5495 F12 A516 D10
 5496 F12 A517 D10
 5497 F12 A518 D10
 5498 F12 A519 D10
 5499 F12 A520 D10
 5500 F12 A521 D10
 5501 F12 A522 D10
 5502 F12 A523 D10
 5503 F12 A524 D10
 5504 F12 A525 D10
 5505 F12 A526 D10
 5506 F12 A527 D10
 5507 F12 A528 D10
 5508 F12 A529 D10
 5509 F12 A530 D10
 5510 F12 A531 D10
 5511 F12 A532 D10
 5512 F12 A533 D10
 5513 F12 A534 D10
 5514 F12 A535 D10
 5515 F12 A536 D10
 5516 F12 A537 D10
 5517 F12 A538 D10
 5518 F12 A539 D10
 5519 F12 A540 D10
 5520 F12 A541 D10
 5521 F12 A542 D10
 5522 F12 A543 D10
 5523 F12 A544 D10
 5524 F12 A545 D10
 5525 F12 A546 D10
 5526 F12 A547 D10
 5527 F12 A548 D10
 5528 F12 A549 D10
 5529 F12 A550 D10
 5530 F12 A551 D10
 5531 F12 A552 D10
 5532 F12 A553 D10
 5533 F12 A554 D10
 5534 F12 A555 D10
 5535 F12 A556 D10
 5536 F12 A557 D10
 5537 F12 A558 D10
 5538 F12 A559 D10
 5539 F12 A560 D10
 5540 F12 A561 D10
 5541 F12 A562 D10
 5542 F12 A563 D10
 5543 F12 A564 D10
 5544 F12 A565 D10
 5545 F12 A566 D10
 5546 F12 A567 D10
 5547 F12 A568 D10
 5548 F12 A569 D10
 5549 F12 A570 D10
 5550 F12 A571 D10
 5551 F12 A572 D10
 5552 F12 A573 D10
 5553 F12 A574 D10
 5554 F12 A575 D10
 5555 F12 A576 D10
 5556 F12 A577 D10
 5557 F12 A578 D10
 5558 F12 A579 D10
 5559 F12 A580 D10
 5560 F12 A581 D10
 5561 F12 A582 D10
 5562 F12 A583 D10
 5563 F12 A584 D10
 5564 F12 A585 D10
 5565 F12 A586 D10
 5566 F12 A587 D10
 5567 F12 A588 D10
 5568 F12 A589 D10
 5569 F12 A590 D10
 5570 F12 A591 D10
 5571 F12 A592 D10
 5572 F12 A593 D10
 5573 F12 A594 D10
 5574 F12 A595 D10
 5575 F12 A596 D10
 5576 F12 A597 D10
 5577 F12 A598 D10
 5578 F12 A599 D10
 5579 F12 A600 D10
 5580 F12 A601 D10
 5581 F12 A602 D10
 5582 F12 A603 D10
 5583 F12 A604 D10
 5584 F12 A605 D10
 5585 F12 A606 D10
 5586 F12 A607 D10
 5587 F12 A608 D10
 5588 F12 A609 D10
 5589 F12 A610 D10
 5590 F12 A611 D10
 5591 F12 A612 D10
 5592 F12 A613 D10
 5593 F12 A614 D10
 5594 F12 A615 D10
 5595 F12 A616 D10
 5596 F12 A617 D10
 5597 F12 A618 D10
 5598 F12 A619 D10
 5599 F12 A620 D10
 5600 F12 A621 D10
 5601 F12 A622 D10
 5602 F12 A623 D10
 5603 F12 A624 D10
 5604 F12 A625 D10
 5605 F12 A626 D10
 5606 F12 A627 D10
 5607 F12 A628 D10
 5608 F12 A629 D10
 5609 F12 A630 D10
 5610 F12 A631 D10
 5611 F12 A632 D10
 5612 F12 A633 D10
 5613 F12 A634 D10
 5614 F12 A635 D10
 5615 F12 A636 D10
 5616 F12 A637 D10
 5617 F12 A638 D10
 5618 F12 A639 D10
 5619 F12 A640 D10
 5620 F12 A641 D1



0003 E2	2222 E3*	2607 D2*	3216 C4*	3505 B1	4003 E3*	6455 A5	9103 E4	9615 C2
0004 D1	2224 D4	2608 D2*	3217 C4*	3506 B2	4004 D4*	6456 A5	9104 E4	9616 C3
0010 C2	2226 D3	2610 D1	3218 C4*	3507 B2	4007 D5*	6461 B4	9107 D4	9620 C1
0011 A2	2240 D3*	2611 D1	3220 C4	3510 B2	4008 D4*	6464 B4	9108 E5	9628 D3
0015 D3	2241 D3*	2613 D1*	3221 C4	3512 A3*	4011 E5*	6468 C5	9109 E4	9637 C1
0020 B1	2242 D3*	2615 E4	3223 D3	3513 A3*	4013 E5*	6470 B5	9110 E3	9643 D2
0022 B1	2248 E3*	2621 C1*	3224 D3*	3517 A3*	4014 E5*	6480 C4	9111 E2	9644 D3
0024 C1	2249 D3*	2622 C1*	3225 D3*	3518 A3	4026 E4*	6481 C4	9112 D5	9647 D2
0025 C1	2251 E3*	2623 C1*	3227 D4*	3520 A3	4052 D4*	6502 B2	9113 C4	9649 C2
0026 D1	2252 E3*	2630 D1	3229 D4*	3521 A3	4100 B1*	6503 B2	9115 E4	9650 C3
0028 D2	2254 E3*	2639 D2*	3234 D3	3524 A3	4101 E3*	6504 B2	9116 E3	9651 C4
0029 D2	2260 D3	2644 D2	3248 E3*	3525 A3	4102 B1*	6505 B2	9118 C3	9658 C1
0030 B1	2261 C3*	2650 D1*	3249 D3*	3528 A3	4107 B1*	6507 B3	9122 E4	9660 C2
0044 C5	2272 D4*	2652 D1*	3250 D3*	3529 A3	4113 C5*	6508 A3	9123 E4	9663 D2
0055 A4	2273 D3*	2655 C1	3251 D3	3530 A3	4116 C4*	6510 A2	9124 E4	9667 D2
0066 B5	2275 D4*	2660 D2*	3252 E3*	3532 A3*	4121 D5*	6524 A3	9125 E4	9677 C2
0077 D3	2277 D4*	2661 D2*	3253 E3*	3534 A3*	4177 E2*	6537 A3	9126 D4	9690 D2
0088 B1	2283 C3*	2663 D3*	3254 E3*	3536 A3*	4178 E5*	6540 A3	9131 D5	9691 C3
0139 A1	2284 C3*	2664 D2*	3265 C3*	3537 A3*	4180 C5*	6550 C3	9132 B1	9692 C3
0166 E1	2285 C3*	2666 D2*	3266 C3	3538 A3	4200 E3*	6560 B3	9133 E3	9693 C3
0177 E2	2313 E2*	2670 C1*	3267 C4	3539 A3	4201 E3*	6570 B3	9134 E3	9900 B5
0231 C5	2321 E2*	2671 A1	3273 D4*	3540 A3	4202 D4*	6581 C2	9135 E3	9901 B5
0232 B1	2323 E2*	2674 C2*	3280 D3*	3541 A3	4211 D4*	6583 B4	9137 E5	9902 D5
0233 D1	2333 E1*	2680 C2*	3311 E2	3542 A2	4212 D4*	6585 C2	9138 E5	9903 C5
0321 E1	2341 E1	2682 C2*	3312 E2*	3545 B2	4213 D4*	6586 C2	9139 D2	9904 D5
0322 E1	2342 D1	2683 C2*	3313 E2*	3546 B3	4214 C4*	6600 C1	9141 D3	9905 D5
1000 E5	2373 E1	2684 C2*	3314 D2	3552 C3*	4216 C4*	6610 D1	9145 D5	9906 D5
1015 D4	2401 C5	2685 C2*	3315 E2	3553 C3*	4217 B1*	6653 C1	9147 D5	9907 C5
1060 C1	2403 D4	2690 C2*	3316 D2	3554 C3*	4219 D2*	6661 D2	9148 D5	M0 B3
1061 D1	2406 D4*	2691 C2*	3317 E2	3565 C2*	4235 C4*	6663 A1	9202 D4	M11 E4
1062 D1	2409 D4*	2692 C2*	3321 E2*	3570 B3	4236 C5*	6690 D2	9203 C4	M9 E3
1063 D1	2410 D4	2693 C2*	3322 E2*	3580 C2*	4251 E3*	6691 C3	9206 C3	
1064 A1	2414 C5	2694 C2*	3323 E2*	3581 C2*	4421 C4*	6692 C3	9207 C3	
1100 B1*	2420 C3	2695 C2*	3324 E2	3582 C2*	4555 C2*	6693 C3	9208 D3	
1102 D4	2421 D4	3000 E4*	3325 E2	3585 B4	4600 C1*	7001 E3*	9209 C3	
1103 B1*	2422 B2	3001 E4	3326 E2	3586 B4*	4601 C2*	7002 E3*	9210 E4	
1104 D4	2430 D4	3002 E4	3327 E2	3587 B3*	4603 C2*	7003 E3*	9211 D3	
1105 C1*	2434 D4*	3004 E4*	3331 E1*	3588 B4*	4605 C2*	7100 C3*	9212 D3	
1106 B1*	2436 D4*	3005 E3*	3332 E1*	3589 B3*	4609 C2*	7101 C3*	9220 D3	
1107 B1*	2437 D4*	3006 E3*	3333 E1*	3590 C2*	4613 D2*	7115 D5*	9221 C3	
1108 C5*	2440 C3	3007 E3	3334 E1*	3591 C2*	4621 D2*	7118 E5*	9225 C3	
1109 C5*	2442 A4*	3008 E3*	3335 E2	3593 C2*	4647 C2*	7200 C4*	9229 D2	
1110 D5*	2443 C4	3009 E3*	3336 E1	3601 C1	4677 E1*	7204 D3*	9233 D1	
1111 C5*	2444 A4	3010 E3	3337 D1	3602 D2	4682 C2*	7214 C4*	9235 D3	
1112 D5*	2445 A4	3013 E3	3341 E1	3603 D1	4684 C2*	7215 C4*	9236 D3	
1120 B1*	2448 B4	3015 E3	3342 D1	3604 C2*	4694 C2*	7220 D3*	9237 C3	
1121 B1*	2450 A5	3016 D5	3347 E2	3605 C2*	4695 C2*	7225 D4	9238 D3	
1122 B1*	2451 A4	3020 E5*	3371 E1	3606 C2*	4896 C2*	7241 D3	9240 C4	
1123 B1*	2452 C4	3022 E5*	3372 E1	3607 C2*	5010 E4	7255 E3	9245 D3	
1206 C3	2453 C4	3040 E4*	3373 E2	3608 D1	5128 D4	7265 C3*	9246 D3	
1207 C4	2456 A5	3100 B1	3400 E4	3610 D1	5201 C3	7301 E2	9247 C3	
1208 C4	2460 B5	3104 C3	3401 C5	3612 D1	5202 D4	7302 E2	9248 D3	
1209 E4	2461 D3	3105 C3*	3402 C5	3613 D1	5203 E3	7303 E1	9250 D3	
1275 D4	2462 A4	3106 C3*	3403 D4*	3614 D1	5206 C3	7304 E2	9251 D3	
1277 D4	2463 C5	3107 C3*	3404 C5	3615 E4	5260 D4	7305 E2	9252 D1	
1500 A2	2464 B5*	3108 C4*	3405 E4*	3616 D1	5370 E1	7306 E2	9261 D3	
1560 C3	2465 B5*	3114 C1	3406 C5	3617 C3	5441 A5	7307 E2	9270 C3	
1571 B3	2466 C5*	3115 C1	3407 C5	3618 C3	5442 A4	7308 E1	9313 E1	
1670 B1	2467 C5*	3121 C5	3408 E4*	3621 C1	5443 A5	7309 E1	9317 D1	
1681 C2	2468 C5*	3122 C5	3410 D4*	3622 C1	5445 B4	7401 C5	9334 E2	
2008 E5*	2469 A4	3123 D5	3411 C5	3623 C1*	5451 A4	7420 D5*	9337 E1	
2010 D4	2470 A5	3124 D5*	3412 B5*	3624 C1*	5456 B4	7421 C4*	9341 E2	
2011 E4*	2471 A4	3125 D5	3413 C5	3625 C1*	5457 B4	7440 C3*	9347 E2	
2016 D5	2476 C5*	3126 C3*	3415 C5*	3628 E3*	5458 B4	7441 A4	9370 E1	
2042 E4*	2480 C4	3127 D5	3417 C5*	3629 C1*	5500 B2	7445 A4	9372 E1	
2043 E4*	2485 B5*	3128 D5	3418 B5	3630 D1	5515 A3	7518 B3	9377 E1	
2104 E5	2487 C5*	3129 C3*	3420 C4*	3632 D2*	5516 B3	7520 A3	9403 B4	
2105 D5	2500 A1	3130 C3*	3421 D4*	3633 D2	5540 A3	7541 C3	9404 C5	
2108 D4	2502 B2	3141 D3	3422 D4*	3634 D2	5545 B3	7581 A4	9405 C3	
2110 D5	2504 B2	3144 D4*	3423 D4*	3636 E3	5550 B3	7583 B3*	9406 B5	
2115 B1	2505 B2	3160 D5	3430 E4	3637 E2	5551 C4	7584 B4*	9408 C5	
2116 B1	2508 A2	3161 C5	3431 A5	3640 E2*	5553 C3	7585 C2*	9410 C4	
2117 C4*	2509 B3	3162 D5	3432 A5	3641 E2*	5570 B3	7586 C2*	9411 B5	
2120 D5	2510 B3	3163 D5	3433 D4	3644 D2	5571 E3	7587 C2*	9413 C5	
2121 D5	2517 A3*	3164 D5	3434 D4*	3653 D1*	5572 B3	7600 C2	9416 C4	
2124 C1*	2518 B2	3165 D5*	3435 D4	3654 D2*	5573 B3	7601 C2	9417 C2	
2125 C1*	2520 A3*	3166 D5*	3436 C5	3655 D2	5600 D1	7603 C2*	9418 D3	
2128 D4*	2521 A3*	3167 D5*	3437 C4	3656 C1*	5601 C1	7608 D1*	9419 C4	
2130 D4*	2522 A3*	3168 D5*	3440 C3*	3657 D2	5602 C2	7610 D1*	9423 C4	
2144 D4	2524 A3*	3169 C4*	3441 C3*	3660 D2*	5603 C2	7620 C1	9424 C4	
2145 D5*	2529 A3*	3170 E5*	3442 A4	3661 D2*	5605 C2	7644 D3*	9425 C4	
2161 D5	2530 A3	3178 E5*	3443 B4*	3662 D2*	5620 C1	7655 C1*	9426 D3	
2163 C1	2531 A3	3179 E5*	3444 A4	3663 C1*	6001 E3	7681 C2*	9443 D5	
2164 C1	2532 A3*	3180 E5*	3445 A4	3664 D3*	6002 E3	7682 C2*	9448 B4	
2166 C5*	2533 A3*	3181 E5*	3446 A4	3665 D2*	6003 E4	7683 C2*	9450 A4	
2167 D5	2534 A3*	3185 C1	3447 B4	3666 D2*	6016 D5	7684 C2*	9454 A5	
2168 C5*	2537 A3	3186 C1	3448 B4	3667 C1*	6100 C4	9001 E4	9461 B4	
2169 C5*	2540 A3	3187 C1	3449 B5	3670 C2	6101 C4	9003 E5	9462 B4	
2170 E5	2541 A3	3188 C1	3450 B4	3671 C1*	6109 D5	9006 E4	9469 C5	
2171 E5	2545 B3	3191 B1	3451 B4	3674 C2	6110 D5	9007 D4	9500 A2	
2180 C5*	2550 B4	3192 B1	3456 A5	3675 C2	6111 C3	9008 D2	9501 A1	
2198 B1	2551 B4	3193 B1	3457 A5	3676 C2*	6254 E3	9009 E3	9505 B2	
2199 B1	2553 C2*	3194 E5	3458 A5	3681 C2	6265 C4	9010 E3	9515 A3	
2200 D5*	2554 C2*	3195 D5	3459 A4	3684 C2*	6311 E2	9011 E3	9518 C3	
2201 D4*	2560 B3*	3201 D4*	3460 B5	3685 C2	6321 D2	9013 E4	9519 C3	
2202 D4	2561 C3	3202 D4*	3461 C3*	3686 C2*	6331 D2	9016 D5	9520 C2	
2203 D4*	2562 B4	3203 D4	3462 B4	3688 C2*	6332 E1	9018 D5	9520 C3	
2205 E3	2563 C2	3204 D5*	3470 B5	3689 C2*	6341 E2	9019 D4	9601 D3	
2209 D4*	2570 B3*	3205 D4	3471 A5	3690 C2	6347 E2	9020 D3	9602 C1	
2211 D4	2571 C3	3206 C4*	3480 C4	3693 C2*	6420 C3	9021 D3	9603 B1	
2212 D4*	2572 B3*	3207 C4	3481 C4	3694 C2*	6440 A4	9023 C3	9604 D3	
2213 D4*	2580 C2*	3208 D3*	3490 D4*	3695 C2*	6441 A4	9024 E4	9605 D2	
2214 C1*	2582 B4*	3209 D4*	3491 D4*	3696 C2*	6443 C5	9025 D4	9606 E4	
2215 D4*	2583 C2	3210 C4*	3500 A2	3698 C2*	6444 B4	9040 E4	9607 C2	
2217 C4	2584 C2	3211 C4*	3501 A1	3699 D2	6445 A4	9100 C4	9611 D2	
2218 D4*	2601 C1*	3214 C4*	3503 B2	4000 E5*	6449 C4	9101 C4	9613 D1	
2221 E3*	2602 C1	3215 C4*	3504 B2	4002 E4*	6454 B4	9102 E3	9614 D2	

A

B

C

D

E

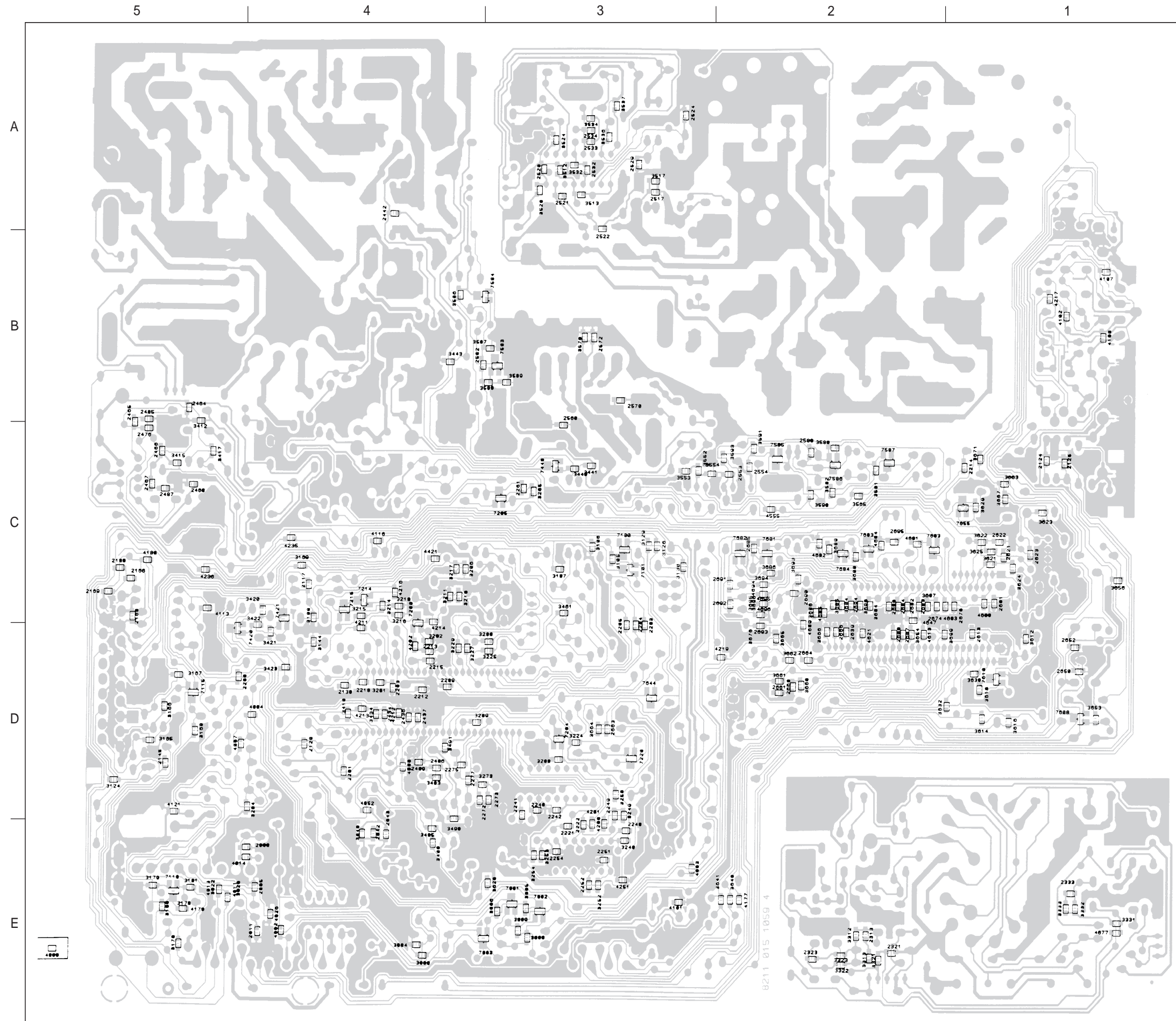
*=chip

*=component

7 Diagrams and print lay-outs

L7.2E

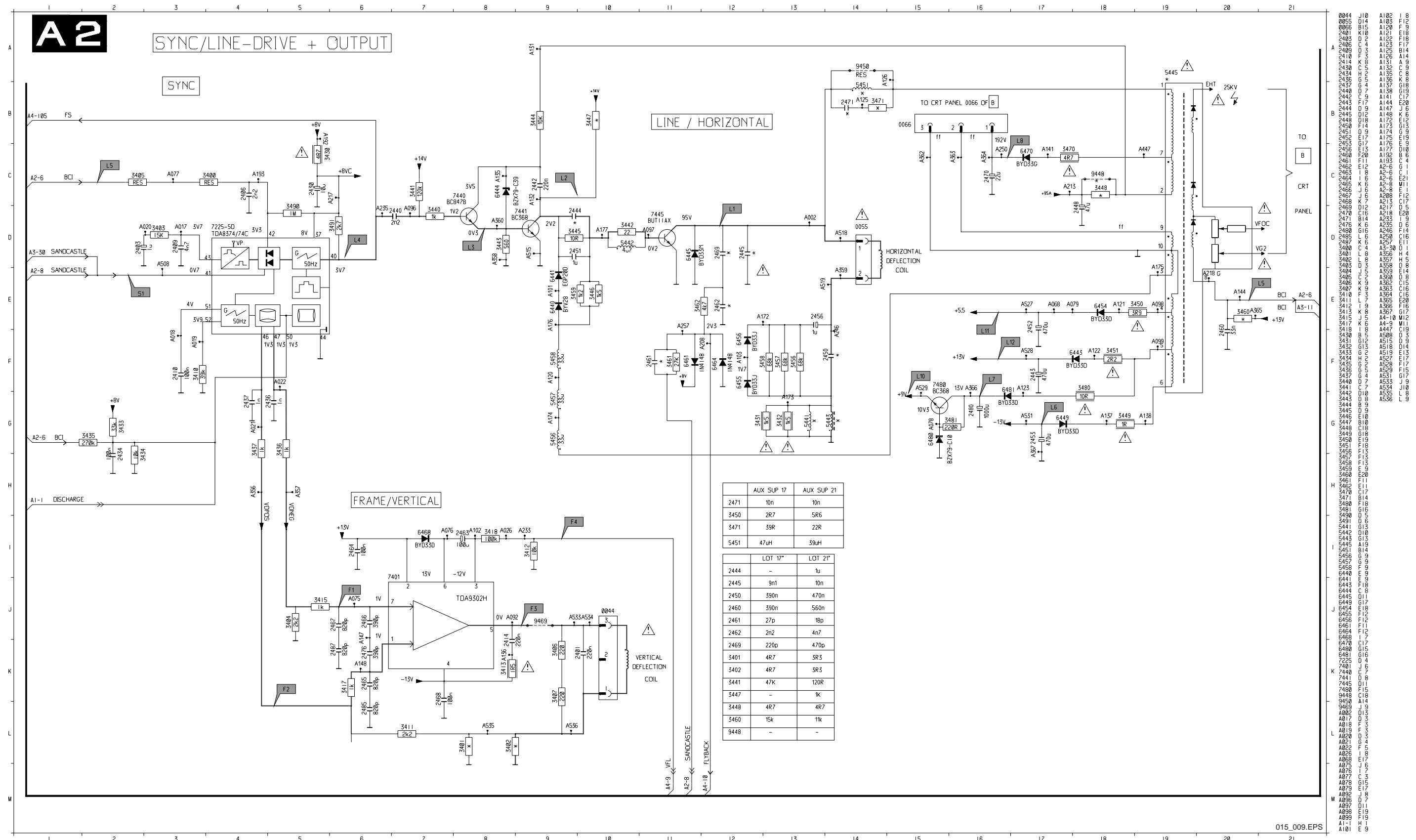
18



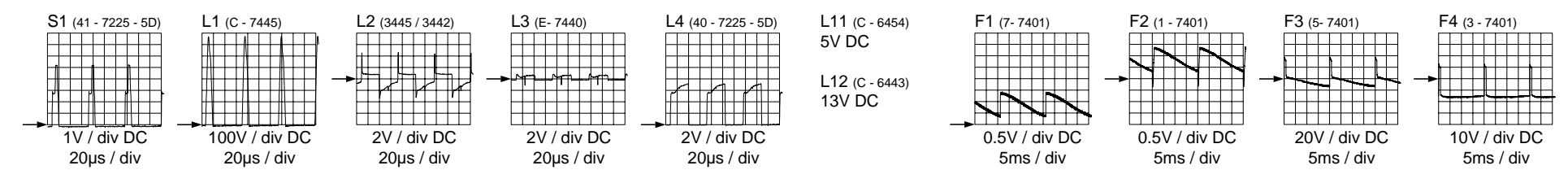
0003 E2	2222 E3	2607 D2	3216 C4	3505 B1	4003 E3	6455 A5	9103 E4	9615 C2
0004 D1	2224 D4	2608 D2	3217 C4	3506 B2	4004 D4	6456 A5	9104 E4	9616 C3
0010 C2	2226 D3	2610 D1	3218 C4	3507 B2	4007 D5	6461 B4	9107 D4	9620 C1
0011 A2	2240 D3	2611 D1	3220 C4	3510 B2	4008 D4	6464 B4	9108 E5	9628 D3
0015 D3	2241 D3	2613 D1	3221 C4	3512 A3	4011 E5	6468 C5	9109 E4	9637 C1
0020 B1	2242 D3	2615 E4	3223 D3	3513 A3	4013 E5	6470 B5	9110 E3	9643 D2
0022 B1	2248 E3	2621 C1	3224 D3	3517 A3	4014 E5	6480 C4	9111 E2	9644 D3
0024 C1	2249 D3	2622 C1	3225 D3	3518 A3	4026 E4	6481 C4	9112 D5	9647 D2
0025 C1	2251 E3	2623 C1	3227 D4	3520 A3	4052 D4	6502 B2	9113 C4	9649 C2
0026 D1	2252 E3	2630 D1	3229 D4	3521 A3	4100 B1	6503 B2	9115 E4	9650 C3
0028 D2	2254 E3	2639 D2	3234 D3	3524 A3	4101 E3	6504 B2	9116 E3	9651 C4
0029 D2	2260 D3	2644 D2	3248 E3	3525 A3	4102 B1	6505 B2	9118 C3	9658 C1
0030 B1	2261 C3	2650 D1	3249 D3	3528 A3	4107 B1	6507 B3	9122 E4	9660 C2
0044 C5	2272 D4	2652 D1	3250 D3	3529 A3	4113 C5	6508 A3	9123 E4	9663 D2
0055 A4	2273 D3	2655 C1	3251 D3	3530 A3	4116 C4	6510 A2	9124 E4	9667 D2
0066 B5	2275 D4	2660 D2	3252 E3	3532 A3	4121 D5	6524 A3	9125 E4	9677 C2
0077 D3	2277 D4	2661 D2	3253 E3	3534 A3	4177 E2	6537 A3	9126 D4	9690 D2
0088 B1	2283 C3	2663 D3	3254 E3	3536 A3	4178 E5	6540 A3	9131 D5	9691 C3
0139 A1	2284 C3	2664 D2	3265 C3	3537 A3	4180 C5	6550 C3	9132 B1	9692 C3
0166 E1	2285 C3	2666 D2	3266 C3	3538 A3	4200 E3	6560 B3	9133 E3	9693 C3
0177 E2	2313 E2	2670 C1	3267 C4	3539 A3	4201 E3	6570 B3	9134 E3	9900 B5
0231 C5	2321 E2	2671 A1	3273 D4	3540 A3	4202 D4	6581 C2	9135 E3	9901 B5
0232 B1	2323 E2	2674 C2	3280 D3	3541 A3	4211 D4	6583 B4	9137 E5	9902 D5
0233 D1	2333 E1	2680 C2	3311 E2	3542 A2	4212 D4	6585 C2	9138 E5	9903 C5
0321 E1	2341 E1	2682 C2	3312 E2	3545 B2	4213 D4	6586 C2	9139 D2	9904 D5
0322 E1	2342 D1	2683 C2	3313 E2	3546 B3	4214 C4	6600 C1	9141 D3	9905 D5
1000 E5	2373 E1	2684 C2	3314 D2	3552 C3	4216 C4	6610 D1	9145 D5	9906 D5
1015 D4	2401 C5	2685 C2	3315 E2	3553 C3	4217 B1	6653 C1	9147 D5	9907 C5
1060 C1	2403 D4	2690 C2	3316 D2	3554 C3	4219 D2	6661 D2	9148 D5	M0 B3
1061 D1	2406 D4	2691 C2	3317 E2	3565 C2	4235 C4	6663 A1	9202 D4	M11 E4
1062 D1	2409 D4	2692 C2	3321 E2	3570 B3	4236 C5	6690 D2	9203 C4	M9 E3
1063 D1	2410 D4	2693 C2	3322 E2	3580 C2	4251 E3	6691 C3	9206 C3	
1064 A1	2414 C5	2694 C2	3323 E2	3581 C2	4421 C4	6692 C3	9207 C3	
1100 B1	2420 C3	2695 C2	3324 E2	3582 C2	4555 C2	6693 C3	9208 D3	
1102 D4	2421 D4	3000 E4	3325 E2	3585 B4	4600 C1	7001 E3	9209 C3	
1103 B1	2422 B2	3001 E4	3326 E2	3586 B4	4601 C2	7002 E3	9210 E4	
1104 D4	2430 D4	3002 E4	3327 E2	3587 B3	4603 C2	7003 E3	9211 D3	
1105 C1	2434 D4	3004 E4	3331 E1	3588 B4	4605 C2	7100 C3	9212 D3	
1106 B1	2436 D4	3005 E3	3332 E1	3589 B3	4609 C2	7101 C3	9220 D3	
1107 B1	2437 D4	3006 E3	3333 E1	3590 C2	4613 D2	7115 D5	9221 C3	
1108 C5	2440 C3	3007 E3	3334 E1	3591 C2	4621 D2	7118 E5	9225 C3	
1109 C5	2442 A4	3008 E3	3335 E2	3593 C2	4647 C2	7200 C4	9229 D2	
1110 D5	2443 C4	3009 E3	3336 E1	3601 C1	4677 E1	7204 D3	9233 D1	
1111 C5	2444 A4	3010 E3	3337 D1	3602 D2	4682 C2	7214 C4	9235 D3	
1112 D5	2445 A4	3013 E3	3341 E1	3603 D1	4684 C2	7215 C4	9236 D3	
1120 B1	2448 B4	3015 E3	3342 D1	3604 C2	4694 C2	7220 D3	9237 C3	
1121 B1	2450 A5	3016 D5	3347 E2	3605 C2	4695 C2	7225 D4	9238 D3	
1122 B1	2451 A4	3020 E5	3371 E1	3606 C2	4696 C2	7241 D3	9240 C4	
1123 B1	2452 C4	3022 E5	3372 E1	3607 C2	5010 E4	7255 E3	9245 D3	
1206 C3	2453 C4	3040 E4	3374 E2	3608 D1	5128 D4	7285 C3	9246 D3	
1207 C4	2456 A5	3100 B1	3400 E4	3610 D1	5201 C3	7301 E2	9247 C3	
1208 C4	2460 B5	3104 C3	3401 C5	3612 D1	5202 D4	7302 E2	9248 C3	
1209 E4	2461 D3	3105 C3	3402 C5	3613 D1	5203 E3	7303 E1	9250 D3	
1275 D4	2462 A4	3106 C3	3403 D4	3614 D1	5206 C3	7304 E2	9251 D3	
1277 D4	2463 C5	3107 C3	3404 C5	3615 E4	5260 D4	7305 E2	9252 D1	
1500 A2	2464 B5	3108 C4	3405 E4	3616 D1	5370 E1	7306 E2	9261 D3	
1560 C3	2465 B5	3114 C1	3406 C5	3617 C3	5441 A5	7307 E2	9270 C3	
1571 B3	2466 C5	3115 C1	3407 C5	3618 C3	5442 A4	7308 E1	9313 E1	
1670 B1	2467 C5	3121 C5	3408 E4	3621 C1	5443 A5	7309 E1	9317 D1	
1681 C2	2468 C5	3122 C5	3410 D4	3622 C1	5445 B4	7401 C5	9334 E2	
2008 E5	2469 A4	3123 D5	3411 C5	3623 C1	5451 A4	7420 D5	9337 E1	
2010 D4	2470 A5	3124 D5	3412 B5	3624 C1	5456 B4	7421 C4	9341 E2	
2011 E4	2471 A4	3125 D5	3413 C5	3625 C1	5457 B4	7440 C3	9347 E2	
2016 D5	2476 C5	3126 C3	3415 C5	3628 E3	5458 B4	7441 A4	9370 E1	
2042 E4	2480 C4	3127 D5	3417 C5	3629 C1	5500 B2	7445 A4	9372 E1	
2043 E4	2485 B5	3128 D5	3418 B5	3630 D1	5515 A3	7518 B3	9377 E1	
2104 E5	2487 C5	3129 C3	3420 C4	3632 D2	5516 B3	7520 A3	9403 B4	
2105 D5	2500 A1	3130 C3	3421 D4	3633 D2	5540 A3	7541 C3	9404 C5	
2108 D4	2502 B2	3141 D3	3422 D4	3634 D2	5545 B3	7581 A4	9405 C3	
2110 D5	2504 B2	3144 D4	3423 D4	3636 E3	5550 B3	7583 B3	9406 B5	
2115 B1	2505 B2	3160 D5	3430 E4	3637 E2	5551 C4	7584 B4	9408 C5	
2116 B1	2508 A2	3161 C5	3431 A5	3640 E2	5553 C3	7585 C2	9410 C4	
2117 C4	2509 B3	3162 D5	3432 A5	3641 E2	5570 B3	7586 C2	9411 B5	
2120 D5	2510 B3	3163 D5	3433 D4	3644 D2	5571 E3	7587 C2	9413 C5	
2121 D5	2517 A3	3164 D5	3434 D4	3653 D1	5572 B3	7600 C2	9416 C4	
2124 C1	2518 B2	3165 D5	3435 D4	3654 D2	5573 B3	7601 C2	9417 C2	
2125 C1	2520 A3	3166 D5	3436 C5	3655 D2	5600 D1	7603 C2	9418 D3	
2128 D4	2521 A3	3167 D5	3437 C4	3656 C1	5601 C1	7608 D1	9419 C4	
2130 D4	2522 A3	3168 D5	3440 C3	3657 D2	5602 C2	7610 D1	9423 C4	
2144 D4	2524 A3	3169 C4	3441 C3	3660 D2	5603 C2	7620 C1	9424 C4	
2145 D5	2529 A3	3170 E5	3442 A4	3661 D2	5605 C2	7644 D3	9425 C4	
2161 D5	2530 A3	3178 E5	3443 B4	3662 D2	5620 C1	7655 C1	9426 D3	
2163 C1	2531 A3	3179 E5	3444 A4	3663 C1	6001 E3	7681 C2	9443 D5	
2164 C1	2532 A3	3180 E5	3445 A4	3664 D3	6002 E3	7682 C2	9448 B4	
2166 C5	2533 A3	3181 E5	3446 A4	3665 D2	6003 E4	7683 C2	9450 A4	
2167 D5	2534 A3	3185 C1	3447 B4	3666 D2	6016 D5	7684 C2	9454 A5	
2168 C5	2537 A3	3186 C1	3448 B4	3667 C1	6100 C4	9001 E4	9461 B4	
2169 C5	2540 A3	3187 C1	3449 B5	3670 C2	6101 C4	9003 E5	9462 B4	
2170 E5	2541 A3	3188 C1	3450 B4	3671 C1	6109 D5	9006 E4	9469 C5	
2171 E5	2545 B3	3191 B1	3451 B4	3674 C2	6110 D5	9007 D4	9500 A2	
2180 C5	2550 B4	3192 B1	3456 A5	3675 C2	6111 C3	9008 D2	9501 A1	
2198 B1	2551 B4	3193 B1	3457 A5	3676 C2	6254 E3	9009 E3	9505 B2	
2199 B1	2553 C2	3194 E5	3458 A5	3681 C2	6265 C4	9010 E3	9515 A3	
2200 D5	2554 C2	3195 D5	3459 A4	3684 C2	6311 E2	9011 E3	9518 C3	
2201 D4	2560 B3	3201 D4	3460 B5	3685 C2	6321 D2	9013 E4	9519 C3	
2202 D4	2561 C3	3202 D4	3461 C3	3686 C2	6331 D2	9016 D5	9520 C2	
2203 D4	2562 B4	3203 D4	3462 B4	3688 C2	6332 E1	9018 D5	9590 C3	
2205 E3	2563 C2	3204 D5	3470 B5	3689 C2	6341 E2	9019 D4	9601 D3	
2209 D4	2570 B3	3205 D4	3471 A5	3690 C2	6347 E2	9020 D3	9602 C1	
2211 D4	2571 C3	3206 C4	3480 C4	3693 C2	6420 C3	9021 D3	9603 B1	
2212 D4	2572 B3	3207 C4	3481 C4	3694 C2	6440 A4	9023 C3	9604 D3	
2213 D4	2580 C2	3208 D3	3490 D4	3695 C2	6441 A4	9024 E4	9605 D2	
2214 C1	2582 B4	3209 D4	3491 D4	3696 C2	6443 C5	9025 D4	9606 E4	
2215 D4	2583 C2	3210 C4	3500 A2	3698 C2	6444 B4	9040 E4	9607 C2	
2217 C4	2584 C2	3211 C4	3501 A1	3699 D2	6445 A4	9100 C4	9611 D2	
2218 D4	2601 C1	3214 C4	3503 B2	4000 E5	6449 C4	9101 C4	9613 D1	
2221 E3	2602 C1	3215 C4	3504 B2	4002 E4	6454 B4	9102 E3	9614 D2	

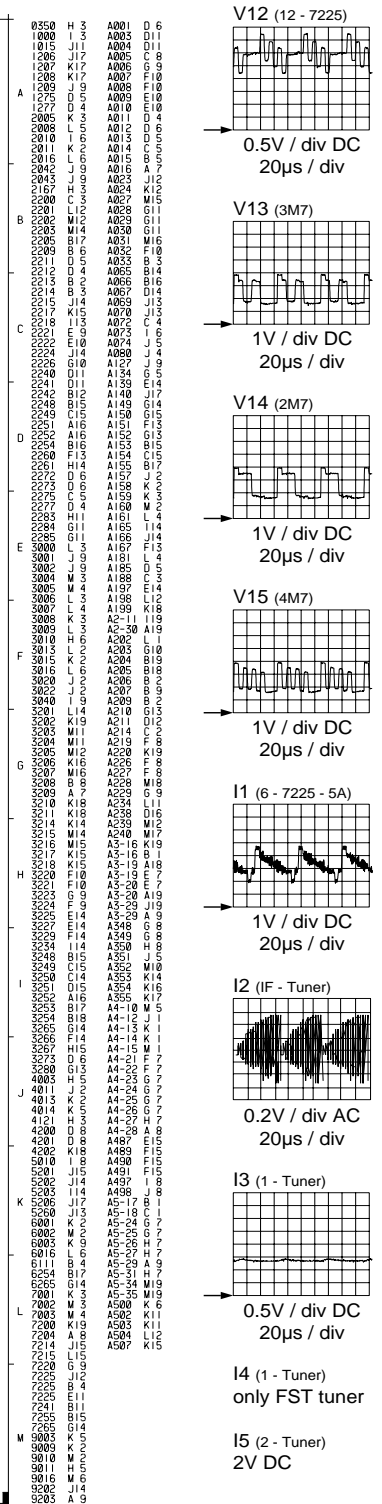
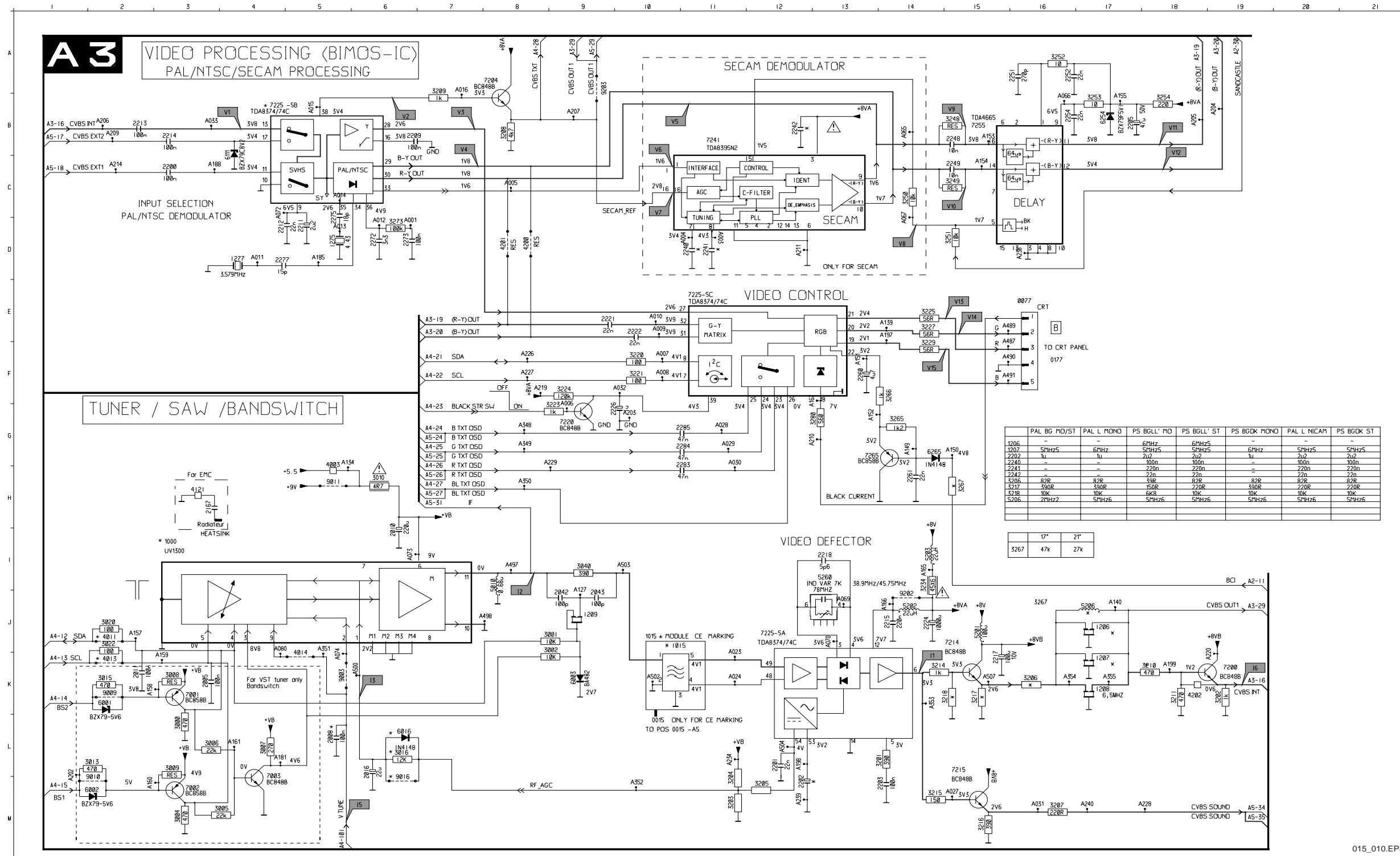
*=chip component

7 Diagrams and print lay-outs



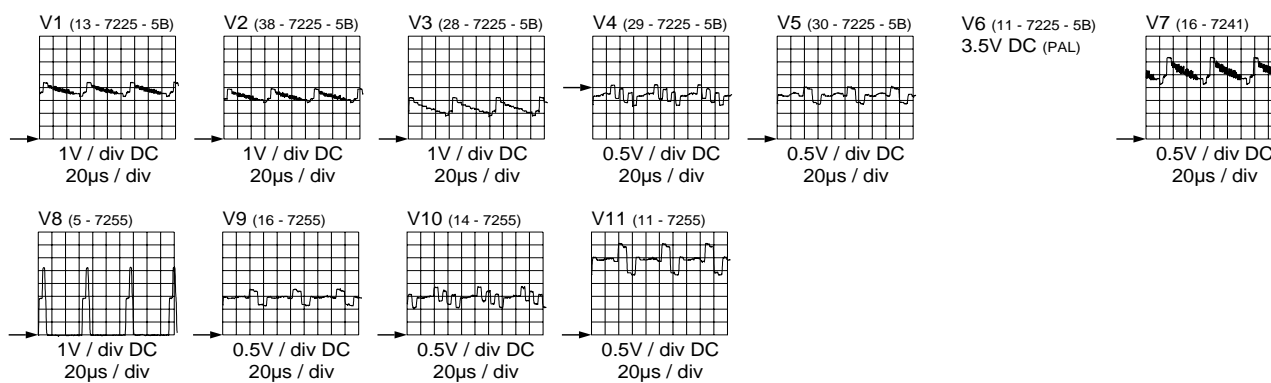
0044	J10	A102	I 8
0055	D14	A103	F12
0065	B15	A128	F 9
2401	K10	A121	F16
2403	D 2	A122	F17
2405	C 4	A123	F14
2408	K10	A125	F11
2410	F 3	A126	A14
2414	K10	A131	A14
2430	K10	A132	C 9
2434	H 2	A135	C 8
2436	F 5	A136	K 8
2440	D 7	A138	G19
2442	C 9	A141	C17
2444	D 9	A147	E20
2448	D18	A172	E15
2451	D 9	A174	F19
2452	F17	A175	F17
2455	E17	A176	F12
2456	I13	A177	F10
2461	F11	A192	B16
2462	I12	A2-6	G 1
2463	F12	A2-6	C 1
2465	F16	A2-6	F 1
2466	F16	A2-6	M11
2467	F16	A2-6	F12
2469	D12	A217	D15
2470	I16	A218	E20
2471	B14	A219	E20
2476	K 6	A235	D 6
2480	G16	A246	F14
2481	F16	A247	F14
2482	K 6	A257	E11
2483	C 4	A3-30	D 1
2484	F16	A357	H 4
2485	F16	A357	F12
2486	F16	A357	F12
2487	F16	A357	F12
2488	F16	A357	F12
2489	F16	A357	F12
2490	F16	A357	F12
2491	F16	A357	F12
2492	F16	A357	F12
2493	F16	A357	F12
2494	F16	A357	F12
2495	F16	A357	F12
2496	F16	A357	F12
2497	F16	A357	F12
2498	F16	A357	F12
2499	F16	A357	F12
2500	F16	A357	F12
3401	4R7	3R3	
3402	4R7	3R3	
3403	4R7	3R3	
3404	4R7	3R3	
3405	4R7	3R3	
3406	4R7	3R3	
3407	4R7	3R3	
3408	4R7	3R3	
3409	4R7	3R3	
3410	4R7	3R3	
3411	4R7	3R3	
3412	4R7	3R3	
3413	4R7	3R3	
3414	4R7	3R3	
3415	4R7	3R3	
3416	4R7	3R3	
3417	4R7	3R3	
3418	4R7	3R3	
3419	4R7	3R3	
3420	4R7	3R3	
3421	4R7	3R3	
3422	4R7	3R3	
3423	4R7	3R3	
3424	4R7	3R3	
3425	4R7	3R3	
3426	4R7	3R3	
3427	4R7	3R3	
3428	4R7	3R3	
3429	4R7	3R3	
3430	4R7	3R3	
3431	4R7	3R3	
3432	4R7	3R3	
3433	4R7	3R3	
3434	4R7	3R3	
3435	4R7	3R3	
3436	4R7	3R3	
3437	4R7	3R3	
3438	4R7	3R3	
3439	4R7	3R3	
3440	4R7	3R3	
3441	4R7	3R3	
3442	4R7	3R3	
3443	4R7	3R3	
3444	4R7	3R3	
3445	4R7	3R3	
3446	4R7	3R3	
3447	4R7	3R3	
3448	4R7	3R3	
3449	4R7	3R3	
3450	4R7	3R3	
3451	4R7	3R3	
3452	4R7	3R3	
3453	4R7	3R3	
3454	4R7	3R3	
3455	4R7	3R3	
3456	4R7	3R3	
3457	4R7	3R3	
3458	4R7	3R3	
3459	4R7	3R3	
3460	4R7	3R3	
3461	4R7	3R3	
3462	4R7	3R3	
3463	4R7	3R3	
3464	4R7	3R3	
3465	4R7	3R3	
3466	4R7	3R3	
3467	4R7	3R3	
3468	4R7	3R3	
3469	4R7	3R3	
3470	4R7	3R3	
3471	4R7	3R3	
3472	4R7	3R3	
3473	4R7	3R3	
3474	4R7	3R3	
3475	4R7	3R3	
3476	4R7	3R3	
3477	4R7	3R3	
3478	4R7	3R3	
3479	4R7	3R3	
3480	4R7	3R3	
3481	4R7	3R3	
3482	4R7	3R3	
3483	4R7	3R3	
3484	4R7	3R3	
3485	4R7	3R3	
3486	4R7	3R3	
3487	4R7	3R3	
3488	4R7	3R3	
3489	4R7	3R3	
3490	4R7	3R3	
3491	4R7	3R3	
3492	4R7	3R3	
3493	4R7	3R3	
3494	4R7	3R3	
3495	4R7	3R3	
3496	4R7	3R3	
3497	4R7	3R3	
3498	4R7	3R3	
3499	4R7	3R3	
3500	4R7	3R3	



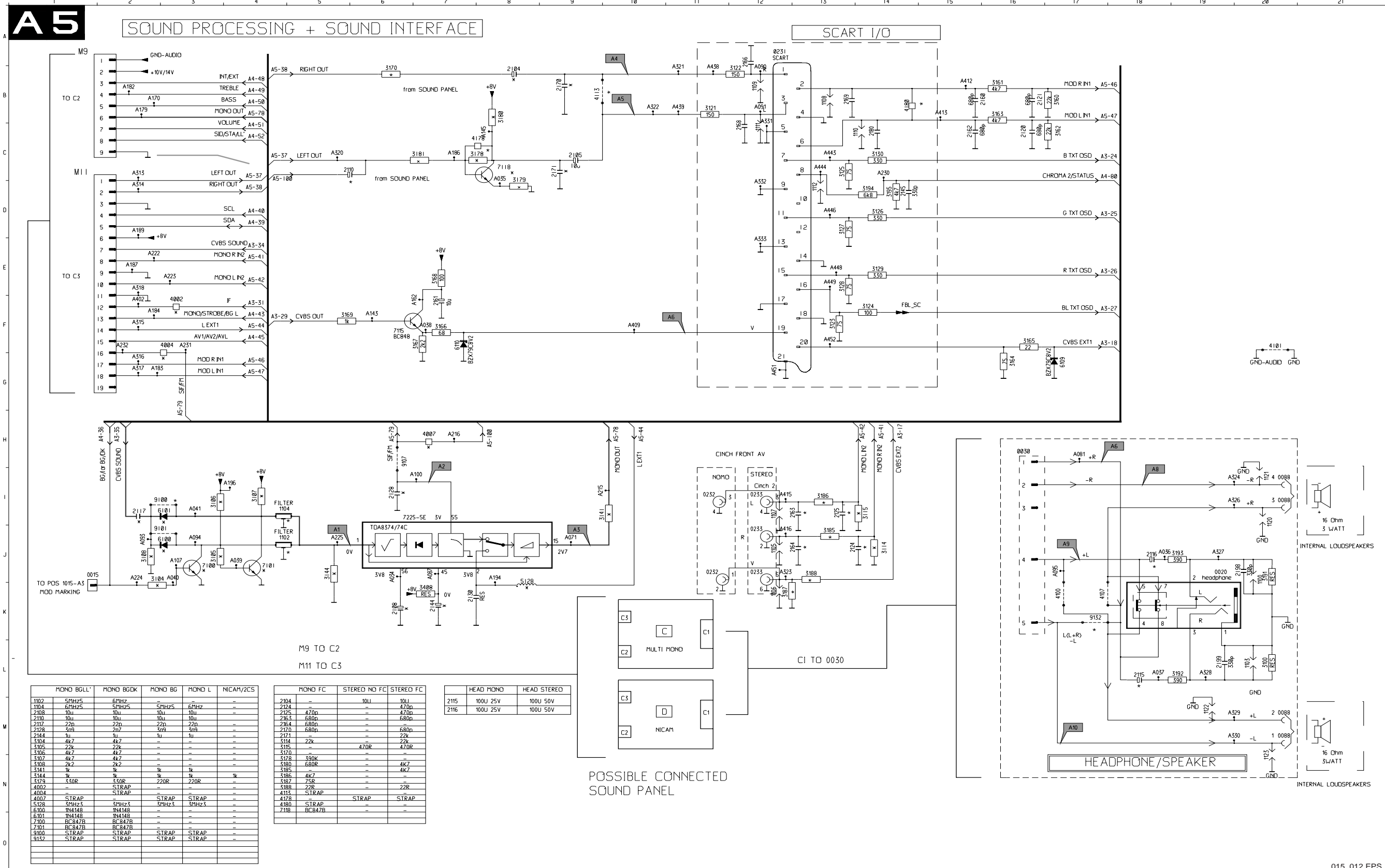


BS1	BS2
VHF1	0 1
VHF2	1 0
UHF	1 1

U	MONO UK	U NICAM UK	U MONO BG	UWS STEREO	UVSH* PD BOLL	UVSH PD BG	UVSH PD BOK	UVSH PD IRL	UVSH NIC IRL	UVSH NIC BOLL	UVSH NIC BOK	UVSH NIC BG
3000	TEB1	TEB1	TEB1	TEB4	TEB4	TEB4	TEB4	TEB4	TEB4	TEB4	TEB4	TEB4
3010	OFUJ1952	11900	G1961	G1984	OFUJ1965	G1961	MOD/MARKING	J1952	J1980	K3951	K3951	G1984
3020	---	---	---	---	---	---	---	---	---	---	---	---
3030	---	---	---	---	---	---	---	---	---	---	---	---
3040	---	---	---	---	---	---	---	---	---	---	---	---
3050	---	---	---	---	---	---	---	---	---	---	---	---
3060	---	---	---	---	---	---	---	---	---	---	---	---
3070	STRAP	STRAP	270R	270R	270R	270R	270R	270R	270R	270R	270R	270R
3080	---	---	---	---	---	---	---	---	---	---	---	---
3090	---	---	---	---	---	---	---	---	---	---	---	---
3100	0.68MHz	0.68MHz	0.68MHz	0.68MHz	0.59MHz	0.68MHz	0.68MHz	0.68MHz	0.68MHz	270n	270n	270n
6001	---	BZX79C5V6	BZX79C5V6	BZX79C5V6	BZX79C5V6	BZX79C5V6	BZX79C5V6	BZX79C5V6	BZX79C5V6	BZX79C5V6	BZX79C5V6	BZX79C5V6
6002	---	---	BZX79C5V6	BZX79C5V6	BZX79C5V6	BZX79C5V6	BZX79C5V6	BZX79C5V6	BZX79C5V6	BZX79C5V6	BZX79C5V6	BZX79C5V6
7001	---	---	BC858B	BC858B	BC858B	BC858B	BC858B	BC858B	BC858B	BC858B	BC858B	BC858B
7002	---	---	BC858B	BC858B	BC858B	BC858B	BC858B	BC858B	BC858B	BC858B	BC858B	BC858B
7003	---	---	BC847B	BC847B	BC847B	BC847B	BC847B	BC847B	BC847B	BC847B	BC847B	BC847B



015_010.EPS

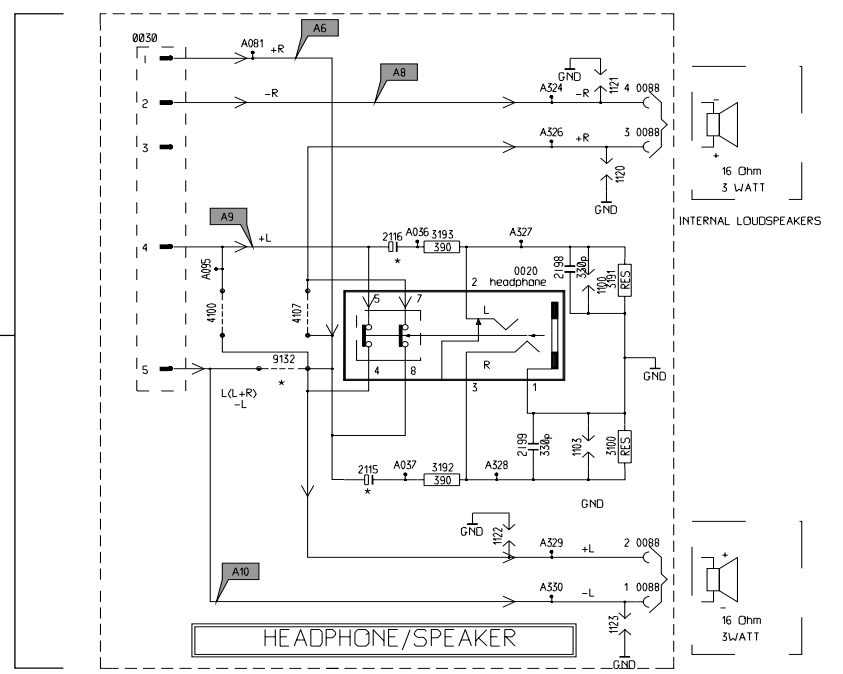
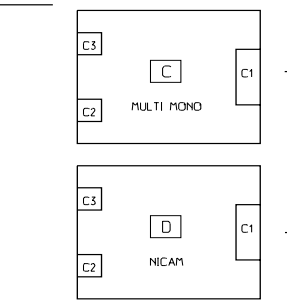


0015	J	2	A225	J	5
0020	H	19	A234	J	5
0025	H	19	A234	J	5
0030	H	19	A234	J	5
0035	M	20	A252	F	2
0040	M	20	A252	F	2
0045	M	20	A252	F	2
0050	M	20	A252	F	2
0055	M	20	A252	F	2
0060	M	20	A252	F	2
0065	M	20	A252	F	2
0070	M	20	A252	F	2
0075	M	20	A252	F	2
0080	M	20	A252	F	2
0085	M	20	A252	F	2
0090	M	20	A252	F	2
0095	M	20	A252	F	2
0100	M	20	A252	F	2
0105	M	20	A252	F	2
0110	M	20	A252	F	2
0115	M	20	A252	F	2
0120	M	20	A252	F	2
0125	M	20	A252	F	2
0130	M	20	A252	F	2
0135	M	20	A252	F	2
0140	M	20	A252	F	2
0145	M	20	A252	F	2
0150	M	20	A252	F	2
0155	M	20	A252	F	2
0160	M	20	A252	F	2
0165	M	20	A252	F	2
0170	M	20	A252	F	2
0175	M	20	A252	F	2
0180	M	20	A252	F	2
0185	M	20	A252	F	2
0190	M	20	A252	F	2
0195	M	20	A252	F	2
0200	M	20	A252	F	2
0205	M	20	A252	F	2
0210	M	20	A252	F	2
0215	M	20	A252	F	2
0220	M	20	A252	F	2
0225	M	20	A252	F	2
0230	M	20	A252	F	2
0235	M	20	A252	F	2
0240	M	20	A252	F	2
0245	M	20	A252	F	2
0250	M	20	A252	F	2
0255	M	20	A252	F	2
0260	M	20	A252	F	2
0265	M	20	A252	F	2
0270	M	20	A252	F	2
0275	M	20	A252	F	2
0280	M	20	A252	F	2
0285	M	20	A252	F	2
0290	M	20	A252	F	2
0295	M	20	A252	F	2
0300	M	20	A252	F	2
0305	M	20	A252	F	2
0310	M	20	A252	F	2
0315	M	20	A252	F	2
0320	M	20	A252	F	2
0325	M	20	A252	F	2
0330	M	20	A252	F	2
0335	M	20	A252	F	2
0340	M	20	A252	F	2
0345	M	20	A252	F	2
0350	M	20	A252	F	2
0355	M	20	A252	F	2
0360	M	20	A252	F	2
0365	M	20	A252	F	2
0370	M	20	A252	F	2
0375	M	20	A252	F	2
0380	M	20	A252	F	2
0385	M	20	A252	F	2
0390	M	20	A252	F	2
0395	M	20	A252	F	2
0400	M	20	A252	F	2
0405	M	20	A252	F	2
0410	M	20	A252	F	2
0415	M	20	A252	F	2
0420	M	20	A252	F	2
0425	M	20	A252	F	2
0430	M	20	A252	F	2
0435	M	20	A252	F	2
0440	M	20	A252	F	2
0445	M	20	A252	F	2
0450	M	20	A252	F	2
0455	M	20	A252	F	2
0460	M	20	A252	F	2
0465	M	20	A252	F	2
0470	M	20	A252	F	2
0475	M	20	A252	F	2
0480	M	20	A252	F	2
0485	M	20	A252	F	2
0490	M	20	A252	F	2
0495	M	20	A252	F	2
0500	M	20	A252	F	2
0505	M	20	A252	F	2
0510	M	20	A252	F	2
0515	M	20	A252	F	2
0520	M	20	A252	F	2
0525	M	20	A252	F	2
0530	M	20	A252	F	2
0535	M	20	A252	F	2
0540	M	20	A252	F	2
0545	M	20	A252	F	2
0550	M	20	A252	F	2
0555	M	20	A252	F	2
0560	M	20	A252	F	2
0565	M	20	A252	F	2
0570	M	20	A252	F	2
0575	M	20	A252	F	2
0580	M	20	A252	F	2
0585	M	20	A252	F	2
0590	M	20	A252	F	2
0595	M	20	A252	F	2
0600	M	20	A252	F	2
0605	M	20	A252	F	2
0610	M	20	A252	F	2
0615	M	20	A252	F	2
0620	M	20	A252	F	2
0625	M	20	A252	F	2
0630	M	20	A252	F	2
0635	M	20	A252	F	2
0640	M	20	A252	F	2
0645	M	20	A252	F	2
0650	M	20	A252	F	2
0655	M	20	A252	F	2
0660	M	20	A252	F	2
0665	M	20	A252	F	2
0670	M	20	A252	F	2
0675	M	20	A252	F	2
0680	M	20	A252	F	2
0685	M	20	A252	F	2
0690	M	20	A252	F	2
0695	M	20	A252	F	2
0700	M	20	A252	F	2
0705	M	20	A252	F	2
0710	M	20	A252	F	2
0715	M	20	A252	F	2
0720	M	20	A252	F	2
0725	M	20	A252	F	2
0730	M	20	A252	F	2
0735	M	20	A252	F	2
0740	M	20	A252	F	2
0745	M	20	A252	F	2
0750	M	20	A252	F	2
0755	M	20	A252	F	2
0760	M	20	A252	F	2
0765	M	20	A252	F	2
0770	M	20	A252	F	2
0775	M	20	A252	F	2
0780	M	20	A252	F	2
0785	M	20	A252	F	2
0790	M	20	A252	F	2
0795	M	20	A252	F	2
0800	M	20	A252	F	2
0805	M	20	A252	F	2
0810	M	20	A252	F	2
0815	M	20	A252	F	2
0820	M	20	A252	F	2
0825	M	20	A252	F	2
0830	M	20	A252	F	2
0835	M	20	A252	F	2
0840	M	20	A252	F	2
0845	M	20	A252	F	2
0850	M	20	A252	F	2
0855	M	20	A252	F	2
0860	M	20	A252	F	2
0865	M	20	A252	F	2
0870	M	20	A252	F	2
0875	M	20	A252	F	2
0880	M	20	A252	F	2
0885	M	20	A252	F	2
0890	M	20	A252	F	2
0895	M	20	A252	F	2
0900	M	20	A252	F	2
0905	M	20	A252	F	2
0910	M	20	A252	F	2
0915	M	20	A252	F	2
0920	M	20	A252	F	2
0925	M	20	A252	F	2
0930	M	20	A252	F	2
0935	M	20	A252	F	2
0940	M	20	A252	F	2
0945	M	20	A252	F	2
0950	M	20	A252	F	2
0955	M	20	A252	F	2
0960	M	20	A252	F	2
0965	M	20	A252	F	2
0970	M	20	A252	F	2
0975	M	20	A252	F	2
0980	M	20	A252	F	2
0985	M	20	A252	F	2
0990	M	20	A252	F	2
0995	M	20	A252	F	2
1000	M	20	A252	F	2

MONO BGLL'	MONO BGDK	MONO BG	MONO L	NICAM/2CS
1102	5MHz±5	6MHz±2	-	-
1104	5MHz±5	5MHz±5	6MHz±2	-
2108	10u	10u	10u	-
2110	10u	10u	10u	-
2112	220	220	220	-
2128	5n9	2n7	5n9	-
2144	1u	-	1u	-
3104	4k7	4k7	-	-
3105	22k	22k	-	-
3106	4k7	4k7	-	-
3107	4k7	4k7	-	-
3108	2k2	2k2	-	-
3144	1k	1k	1k	-
3144	1k	1k	1k	-
3179	330R	330R	220R	220R
4002	STRAP	STRAP	STRAP	STRAP
4004	STRAP	STRAP	STRAP	STRAP
4007	STRAP	STRAP	STRAP	STRAP
5128	3MHz±5	5MHz±1	5MHz±1	-
6100	1N4148	1N4148	-	-
6101	1N4148	1N4148	-	-
7100	BC847B	BC847B	-	-
7101	BC847B	BC847B	-	-
9100	STRAP	STRAP	STRAP	STRAP
9152	STRAP	STRAP	STRAP	STRAP

MONO FC	STEREO NO FC	STEREO FC
2104	-	10u
2124	-	10u
2125	470p	470p
2163	680p	680p
2164	680p	680p
2170	680p	680p
2171	-	22k
3114	22k	22k
3115	-	470R
3170	-	22k
3178	390K	390K
3180	680R	4K7
3185	-	4K7
3186	4K7	-
3187	75R	-
3188	22R	22R
4115	STRAP	-
4178	STRAP	STRAP
4180	STRAP	STRAP
7118	BC847B	-

HEAD MONO	HEAD STEREO
2115	100u 25V
2116	100u 25V

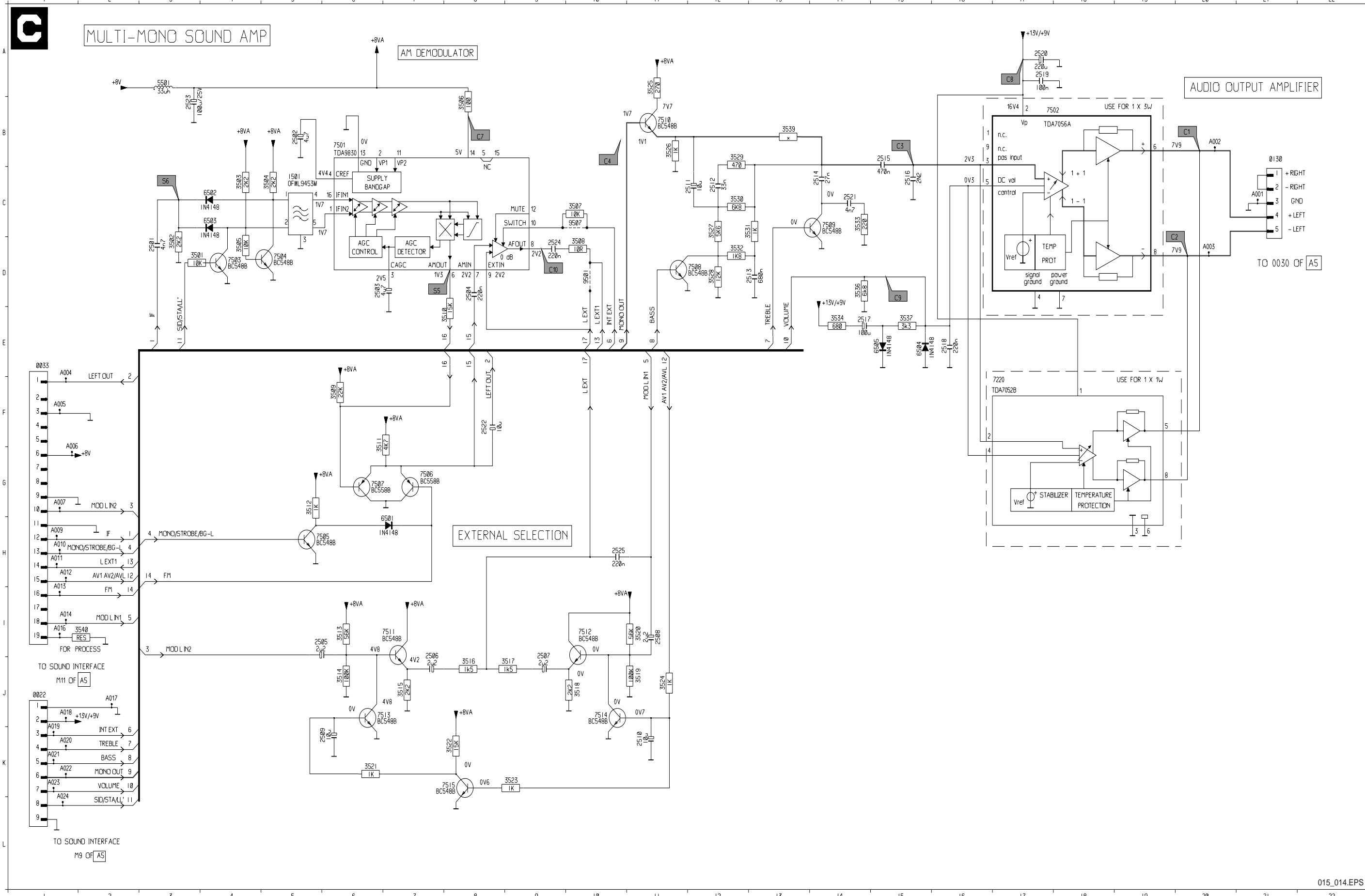


7 Diagrams and print lay-outs

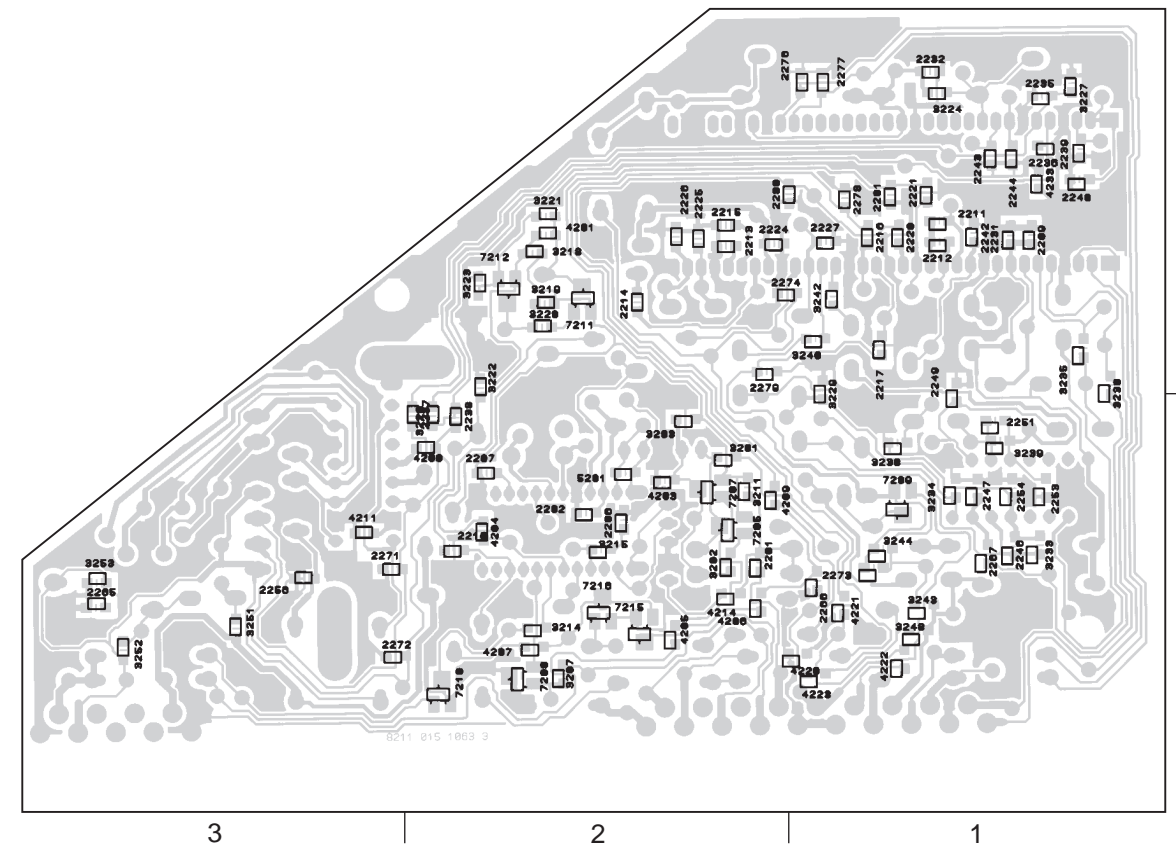
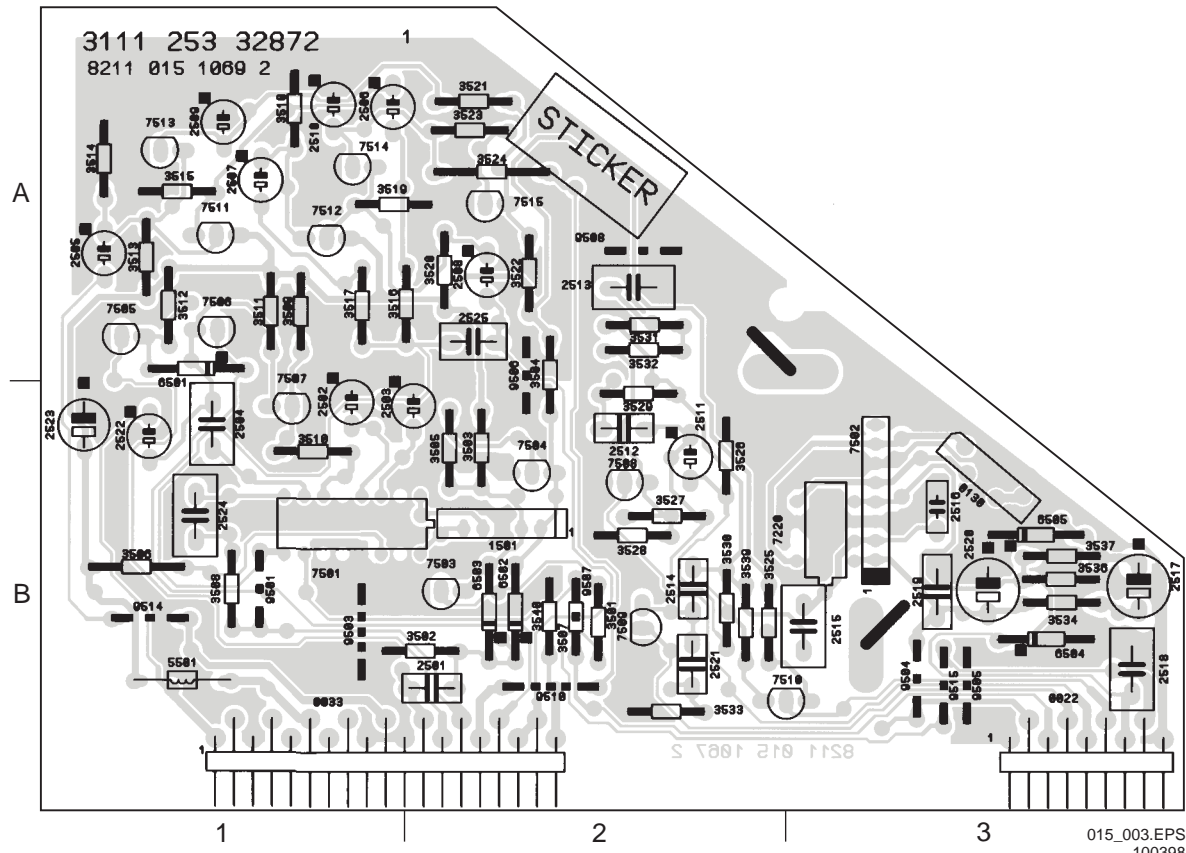
L7.2E

24

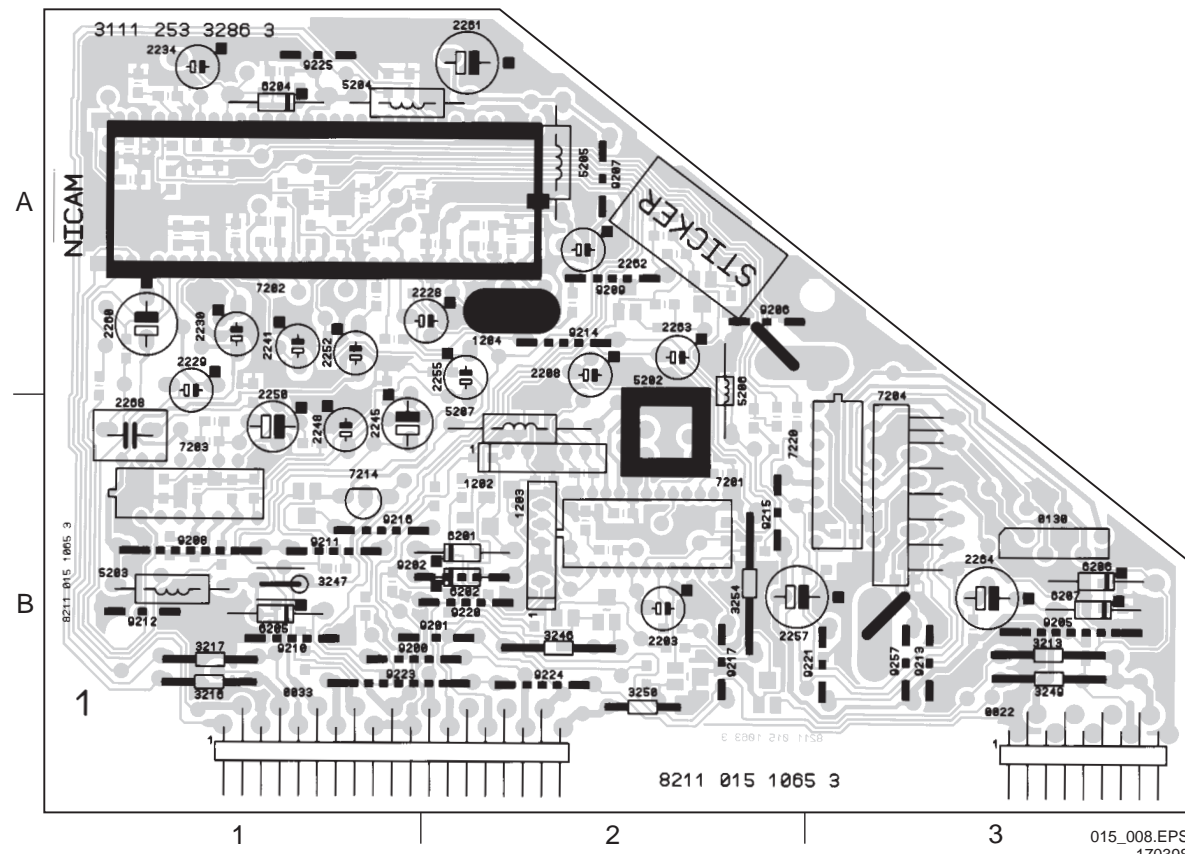
0022	J	10	K	12	H	15	17	17	2502	J	9	2512	C12	2517	F14	2522	F	3	3505	D	4	3510	F	8	3515	J	7	3520	I11	3525	A11	3530	C12	3536	D14	4	H	3	6	K	2	6505	E15	7502	B17	7507	G	6	7512	I10	8	E11	A001	C21	A006	G	1	A012	H	1	A018	J	1	A023	K	1		
0130	F21	10	E11	13	H	15	17	17	2503	K	6	2513	C13	2518	F16	2523	F	3	3506	D	4	3511	F	8	3516	J	7	3521	K	6	3526	B11	3531	C13	3537	E15	5	H	3	6	K	2	6506	E15	7503	D	4	7508	D12	7513	J	6	E10	A002	B20	A007	G	1	A013	H	1	A019	K	1	A024	L	1	
1	6A3	12	E11	14	H	16	17	17	2504	F	8	2514	C14	2519	F	8	2524	F	3	3507	D	4	3512	F	8	3517	J	9	3522	K	8	3527	C12	3532	D12	3539	B13	5	H	3	6	K	2	6507	E15	7504	D	5	7509	C14	7514	J	8	E10	A003	D20	A008	H	1	A014	I	1	A020	K	1	A025	L	1
2	6A3	14	E11	15	H	16	17	17	2505	F	8	2515	C15	2520	F	8	2525	F	3	3508	D	4	3513	F	8	3518	J	9	3523	K	9	3528	D12	3533	C14	3540	H	3	6	K	2	6508	E15	7505	H	3	7510	B11	7515	K	8	E10	A004	F	1	A010	H	1	A016	J	2	A021	K	1	A026	L	1	
3	6A3	16	E11	16	H	16	17	17	2506	F	8	2516	C16	2521	F	8	2526	F	3	3509	D	4	3514	F	8	3519	J	9	3524	K	10	3529	B12	3534	F	4	H	3	6	K	2	6509	E15	7506	G	7	7511	I	6	E10	A005	F	1	A011	H	1	A017	J	2	A022	K	1	A027	L	1			



7 Diagrams and print lay-outs



0022 B3	2507 A1	2517 B3	3502 B2	3522 A2	3532 B2	6503 B2	7507 B1	9503 B1
0033 B1	2508 A2	2518 B3	3503 B2	3523 A2	3533 B2	6504 B3	7508 B2	9504 B3
0130 B3	2509 A1	2519 B3	3504 B2	3524 A2	3534 B3	6505 B3	7509 B2	9505 B3
1501 B2	2510 A1	2520 B3	3505 B2	3525 B2	3536 B3	7220 B3	7510 B2	9506 B2
2501 B2	2511 B2	2521 B2	3506 B1	3526 B2	3537 B3	7501 B1	7511 A1	9507 B2
2502 B1	2512 B2	2522 B1	3507 B2	3527 B2	3539 B2	7502 B3	7512 A1	9508 A2
2503 B1	2513 A2	2523 B1	3508 B1	3528 B2	3540 B2	7503 B2	7513 A1	9510 B2
2504 B1	2514 B2	2524 B1	3509 A1	3529 B2	5501 B1	7504 B2	7514 A1	9514 B1
2505 A1	2515 B3	2525 A2	3510 B1	3530 B2	6501 B1	7505 A1	7515 A2	9515 B3
2506 A1	2516 B3	3501 B2	3511 A1	3531 A2	6502 B2	7506 A1	9501 B1	



0022 B3	3229 B1*
0033 B1	3230 B1*
0130 B3	3233 B1*
1202 B2	3234 B1*
1203 B2	3235 A1*
1204 A2	3238 B1*
2201 B2*	3239 B1*
2202 B2*	3240 A1*
2203 B2	3242 A1*
2206 B2*	3243 B1*
2207 B2*	3244 B1*
2208 A2	3246 B2
2209 A1*	3247 B1*
2210 B2*	3248 B1*
2211 A1*	3249 B3
2212 A1*	3250 B2
2213 A2*	3251 B3*
2214 A2*	3252 B3*
2215 A2*	3253 B3*
2216 A1*	3254 B2
2217 A1*	4200 B2*
2220 A1*	4201 A2*
2221 A1*	4203 B2*
2224 A2*	4204 B2*
2225 A2*	4205 B2*
2226 A2*	4206 B2*
2227 A1*	4207 B2*
2228 A2*	4209 B2*
2229 B1	4211 B3*
2230 A1	4214 B2*
2231 A1*	4220 B1*
2232 A1*	4221 B1*
2234 A1	4222 B1*
2235 A1*	4223 B1*
2236 A1	4233 A1*
2237 B2*	5201 B2*
2238 B2*	5202 B2
2239 A1*	5203 B1
2240 A1*	5204 A1
2241 A1	5205 A2
2242 A1*	5206 B2
2243 A1*	5207 B2
2244 A1*	6201 B2
2245 B1	6202 B2
2246 B1*	6204 A1
2247 B1*	6205 B1
2248 B1	6206 B3
2249 B1*	6207 B3
2250 B1	7201 B2
2251 B1*	7202 A1
2252 A1	7203 B1
2253 B1*	7204 B3
2254 B1*	7205 B2*
2255 A2	7207 B2*
2256 B3*	7208 B2*
2257 B3	7209 B1*
2260 A1	7210 B2*
2261 A2	7211 A2*
2262 A2	7212 A2*
2263 A2	7214 B1
2264 B3	7215 B2*
2265 B3*	7216 B2*
2266 B1*	7220 B3
2267 B1*	9200 B1
2268 B1	9201 B2
2271 B3*	9202 B2
2272 B3*	9205 B3
2273 B1*	9206 A2
2274 A1*	9207 A2
2276 A1*	9208 B1
2277 A1*	9209 A2
2278 A1*	9210 B1
2279 A2*	9211 B1
2280 A1*	9212 B1
2281 A1*	9213 B3
3201 B2*	9214 A2
3202 B2*	9215 B2
3203 B2*	9216 B1
3207 B2*	9217 B2
3211 B2*	9220 B2
3213 B3	9221 B3
3214 B2*	9223 B1
3215 B2*	9224 B2
3216 B1	9257 B3
3217 B1	
3218 A2*	
3219 A2*	
3220 A2*	
3221 A2*	
3222 B2*	
3223 A2*	
3224 A1*	
3227 A1*	
3228 B2*	

*=chip component

7 Diagrams and print lay-outs

L7.2E

26

0022	K 1	12	J 2	15	G 2	2206	A16	2215	H 4	2228	E 8	2238	G12	2247	H12	2256	F22	2267	G12	2279	I 3	3211	C10	3221	D21	3234	H12	3247	A 4	4	G 2	5205	B 8	6206	M12	7207	C13	7220	J18	A003	A18	A012	A17	A021	F 1	A030	I 1	A039	J 1	A048	I10	A057	B12	A066	D17	A075	G 3	A084	H10	A093	L11	0033	F 1	12	J 2	15	G 2	2206	A16	2215	H 4	2228	E 8	2238	G12	2247	H12	2256	F22	2267	G12	2279	I 3	3211	C10	3221	D21	3234	H12	3247	A 4	4	G 2	5205	B 8	6206	M12	7207	C13	7220	J18	A003	A18	A012	A17	A021	F 1	A030	I 1	A039	J 1	A048	I10	A057	B12	A066	D17	A075	G 3	A084	H10	A093	L11	0130	H20	1202	C14	16	H 3	2208	A15	2217	H 3	2230	E10	2241	H11	2250	J13	2261	C 7	2272	G12	2281	H 3	3212	C11	3222	D20	3235	K13	3249	B 4	4	4201	D21	5206	D20	6207	M11	7208	D16	7221	J19	A004	A16	A013	C19	A022	G 1	A031	I 1	A040	J13	A049	B 4	A058	A12	A067	D13	A076	D21	A085	E10	A094	G10	1	12	J 2	15	G 2	2206	A16	2215	H 4	2228	E 8	2238	G12	2247	H12	2256	F22	2267	G12	2279	I 3	3211	C10	3221	D20	3235	K13	3249	B 4	4	4201	D21	5206	D20	6207	M11	7208	D16	7221	J19	A004	A16	A013	C19	A022	G 1	A031	I 1	A040	J13	A049	B 4	A058	A12	A067	D13	A076	D21	A085	E10	A094	G10	10	10	13	L 5	2201	C16	2213	F 4	2225	G 3	2236	E 8	2245	G13	2254	H14	2265	M13	2276	L11	2287	H 3	3201	B11	3213	D18	3224	F11	3237	G11	3250	J 1	5	5207	C18	6208	M12	7209	B15	7210	D13	7211	C22	7212	C21	9202	C11	A005	F13	A006	F14	A007	G14	A008	G15	A009	H11	A010	H12	A011	I11	A012	I12	A013	J11	A014	J12	A015	K 1	A016	K 2	A017	L 1	A018	L 2	A019	M 1	A020	M 2	A021	N 1	A022	N 2	A023	O 1	A024	O 2	A025	P 1	A026	P 2	A027	Q 1	A028	Q 2	A029	R 1	A030	R 2	A031	S 1	A032	S 2	A033	T 1	A034	T 2	A035	U 1	A036	U 2	A037	V 1	A038	V 2	A039	W 1	A040	W 2	A041	X 1	A042	X 2	A043	Y 1	A044	Y 2	A045	Z 1	A046	Z 2	A047	AA 1	A048	AA 2	A049	AB 1	A050	AB 2	A051	AC 1	A052	AC 2	A053	AD 1	A054	AD 2	A055	AE 1	A056	AE 2	A057	AF 1	A058	AF 2	A059	AG 1	A060	AG 2	A061	AH 1	A062	AH 2	A063	AI 1	A064	AI 2	A065	AJ 1	A066	AJ 2	A067	AK 1	A068	AK 2	A069	AL 1	A070	AL 2	A071	AM 1	A072	AM 2	A073	AN 1	A074	AN 2	A075	AO 1	A076	AO 2	A077	AP 1	A078	AP 2	A079	AQ 1	A080	AQ 2	A081	AR 1	A082	AR 2	A083	AS 1	A084	AS 2	A085	AT 1	A086	AT 2	A087	AU 1	A088	AU 2	A089	AV 1	A090	AV 2	A091	AW 1	A092	AW 2	A093	AX 1	A094	AX 2	A095	AY 1	A096	AY 2	A097	AZ 1	A098	AZ 2	A099	BA 1	A100	BA 2	A101	BB 1	A102	BB 2	A103	BC 1	A104	BC 2	A105	BD 1	A106	BD 2	A107	BE 1	A108	BE 2	A109	BF 1	A110	BF 2	A111	BG 1	A112	BG 2	A113	BH 1	A114	BH 2	A115	BI 1	A116	BI 2	A117	BJ 1	A118	BJ 2	A119	BK 1	A120	BK 2	A121	BL 1	A122	BL 2	A123	BM 1	A124	BM 2	A125	BN 1	A126	BN 2	A127	BO 1	A128	BO 2	A129	BP 1	A130	BP 2	A131	BQ 1	A132	BQ 2	A133	BR 1	A134	BR 2	A135	BS 1	A136	BS 2	A137	BT 1	A138	BT 2	A139	BV 1	A140	BV 2	A141	BW 1	A142	BW 2	A143	BX 1	A144	BX 2	A145	BY 1	A146	BY 2	A147	BZ 1	A148	BZ 2	A149	CA 1	A150	CA 2	A151	CB 1	A152	CB 2	A153	CC 1	A154	CC 2	A155	CD 1	A156	CD 2	A157	CE 1	A158	CE 2	A159	CF 1	A160	CF 2	A161	CG 1	A162	CG 2	A163	CH 1	A164	CH 2	A165	CI 1	A166	CI 2	A167	CJ 1	A168	CJ 2	A169	CK 1	A170	CK 2	A171	CL 1	A172	CL 2	A173	CM 1	A174	CM 2	A175	CN 1	A176	CN 2	A177	CO 1	A178	CO 2	A179	CP 1	A180	CP 2	A181	CQ 1	A182	CQ 2	A183	CR 1	A184	CR 2	A185	CS 1	A186	CS 2	A187	CT 1	A188	CT 2	A189	CU 1	A190	CU 2	A191	CV 1	A192	CV 2	A193	CA 1	A194	CA 2	A195	CB 1	A196	CB 2	A197	CC 1	A198	CC 2	A199	CD 1	A200	CD 2	A201	CE 1	A202	CE 2	A203	CF 1	A204	CF 2	A205	CG 1	A206	CG 2	A207	CH 1	A208	CH 2	A209	CI 1	A210	CI 2	A211	CJ 1	A212	CJ 2	A213	CK 1	A214	CK 2	A215	CL 1	A216	CL 2	A217	CM 1	A218	CM 2	A219	CN 1	A220	CN 2	A221	CO 1	A222	CO 2	A223	CP 1	A224	CP 2	A225	CQ 1	A226	CQ 2	A227	CR 1	A228	CR 2	A229	CS 1	A230	CS 2	A231	CT 1	A232	CT 2	A233	CU 1	A234	CU 2	A235	CV 1	A236	CV 2	A237	CA 1	A238	CA 2	A239	CB 1	A240	CB 2	A241	CC 1	A242	CC 2	A243	CD 1	A244	CD 2	A245	CE 1	A246	CE 2	A247	CF 1	A248	CF 2	A249	CG 1	A250	CG 2	A251	CH 1	A252	CH 2	A253	CI 1	A254	CI 2	A255	CJ 1	A256	CJ 2	A257	CK 1	A258	CK 2	A259	CL 1	A260	CL 2	A261	CM 1	A262	CM 2	A263	CN 1	A264	CN 2	A265	CO 1	A266	CO 2	A267	CP 1	A268	CP 2	A269	CQ 1	A270	CQ 2	A271	CR 1	A272	CR 2	A273	CS 1	A274	CS 2	A275	CT 1	A276	CT 2	A277	CU 1	A278	CU 2	A279	CV 1	A280	CV 2	A281	CA 1	A282	CA 2	A283	CB 1	A284	CB 2	A285	CC 1	A286	CC 2	A287	CD 1	A288	CD 2	A289	CE 1	A290	CE 2	A291	CF 1	A292	CF 2	A293	CG 1	A294	CG 2	A295	CH 1	A296	CH 2	A297	CI 1	A298	CI 2	A299	CJ 1	A300	CJ 2	A301	CK 1	A302	CK 2	A303	CL 1	A304	CL 2	A305	CM 1	A306	CM 2	A307	CN 1	A308	CN 2	A309	CO 1	A310	CO 2	A311	CP 1	A312	CP 2	A313	CQ 1	A314	CQ 2	A315	CR 1	A316	CR 2	A317	CS 1	A318	CS 2	A319	CT 1	A320	CT 2	A321	CU 1	A322	CU 2	A323	CV 1	A324	CV 2	A325	CA 1	A326	CA 2	A327	CB 1	A328	CB 2	A329	CC 1	A330	CC 2	A331	CD 1	A332	CD 2	A333	CE 1	A334	CE 2	A335	CF 1	A336	CF 2	A337	CG 1	A338	CG 2	A339	CH 1	A340	CH 2	A341	CI 1	A342	CI 2	A343	CJ 1	A344	CJ 2	A345	CK 1	A346	CK 2	A347	CL 1	A348	CL 2	A349	CM 1	A350	CM 2	A351	CN 1	A352	CN 2	A353	CO 1	A354	CO 2	A355	CP 1	A356	CP 2	A357	CQ 1	A358	CQ 2	A359	CR 1	A360	CR 2	A361	CS 1	A362	CS 2	A363	CT 1	A364	CT 2	A365	CU 1	A366	CU 2	A367	CV 1	A368	CV 2	A369	CA 1	A370	CA 2	A371	CB 1	A372	CB 2	A373	CC 1	A374	CC 2	A375	CD 1	A376	CD 2	A377	CE 1	A378	CE 2	A379	CF 1	A380	CF 2	A381	CG 1	A382	CG 2	A383	CH 1	A384	CH 2	A385	CI 1	A386	CI 2	A387	CJ 1	A388	CJ 2	A389	CK 1	A390	CK 2	A391	CL 1	A392	CL 2	A393	CM 1	A394	CM 2	A395	CN 1	A396	CN 2	A397	CO 1	A398	CO 2	A399	CP 1	A400	CP 2	A401	CQ 1	A402	CQ 2	A403	CR 1	A404	CR 2	A405	CS 1	A406	CS 2	A407	CT 1	A408	CT 2	A409	CU 1	A410	CU 2	A411	CV 1	A412	CV 2	A413	CA 1	A414	CA 2	A415	CB 1	A416	CB 2	A417	CC 1	A418	CC 2	A419	CD 1	A420	CD 2	A421	CE 1	A422	CE 2	A423	CF 1	A424	CF 2	A425	CG 1	A426	CG 2	A427	CH 1	A428	CH 2	A429	CI 1	A430	CI 2	A431	CJ 1	A432	CJ 2	A433	CK 1	A434	CK 2	A435	CL 1	A436	CL 2	A437	CM 1	A438	CM 2	A439	CN 1	A440	CN 2	A441	CO 1	A442	CO 2	A443	CP 1	A444	CP 2	A445	CQ 1	A446	CQ 2	A447	CR 1	A448	CR 2	A449	CS 1	A450	CS 2	A451	CT 1	A452	CT 2	A453	CU 1	A454	CU 2	A455	CV 1	A456	CV 2	A457	CA 1	A458	CA 2	A459	CB 1	A460	CB 2	A461	CC 1	A462	CC 2	A463	CD 1	A464	CD 2	A465	CE 1	A466	CE 2	A467	CF 1	A468	CF 2	A469	CG 1	A470	CG 2	A471	CH 1	A472	CH 2	A473	CI 1	A474	CI 2	A475	CJ 1	A476	CJ 2	A477	CK 1	A478	CK 2	A479	CL 1	A480	CL 2	A481	CM 1	A482	CM 2	A483	CN 1	A484	CN 2	A485	CO 1	A486	CO 2	A487	CP 1	A488	CP 2	A489	CQ 1	A490	CQ 2	A491	CR 1	A492	CR 2	A493	CS 1	A494	CS 2	A495	CT 1	A496	CT 2	A497	CU 1	A498	CU 2	A499	CV 1	A500	CV 2	A501	CA 1	A502	CA 2	A503	CB 1	A504	CB 2	A505	CC 1	A506	CC 2	A507	CD 1	A508	CD 2	A509	CE 1	A510	CE 2	A511	CF 1	A512	CF 2	A513	CG 1	A514	CG 2	A515	CH 1	A516	CH 2	A517	CI 1	A518	CI 2	A519	CJ 1	A520	CJ 2	A521	CK 1	A522	CK 2	A523	CL 1	A524	CL 2	A525	CM 1	A526	CM 2	A527	CN 1	A528	CN 2	A529	CO 1	A530	CO 2	A531	CP 1	A532	CP 2	A533	CQ 1	A534	CQ 2	A535	CR 1	A536	CR 2	A537	CS 1	A538	CS 2	A539	CT 1	A540	CT 2	A541	CU 1	A542	CU 2	A543	CV 1	A544	CV 2	A545	CA 1	A546	CA 2	A547	CB 1	A548	CB 2	A549	CC 1	A550	CC 2	A551	CD 1	A552	CD 2	A553	CE 1	A554	CE 2	A555	CF 1	A556	CF 2	A557	CG 1	A558	CG 2	A559	CH 1	A560	CH 2	A561	CI 1	A562	CI 2	A563	CJ 1	A564	CJ 2	A565	CK 1	A566	CK 2	A567	CL 1	A568	CL 2	A569	CM 1	A570	CM 2	A571	CN 1	A572	CN 2	A573	CO 1	A574	CO 2	A575	CP 1	A576	CP 2	A577	CQ 1	A578	CQ 2	A579	CR 1	A580	CR 2	A581	CS 1	A582	CS 2	A583	CT 1	A584	CT 2	A585	CU 1	A586	CU 2	A587	CV 1	A588	CV 2	A589	CA 1	A590	CA 2	A591	CB 1	A592	CB 2	A593	CC 1	A594	CC 2	A595	CD 1	A596	CD 2	A597	CE 1	A598	CE 2	A599	CF 1	A600	CF 2	A601	CG 1	A602	CG 2	A603	CH 1	A604	CH 2	A605	CI 1	A606	CI 2	A607	CJ 1	A608	CJ 2	A609	CK 1	A610	CK 2	A611	CL 1	A612	CL 2	A613	CM 1	A614	CM 2	A615	CN 1	A616	CN 2	A617	CO 1	A618	CO 2	A619	CP 1	A620	CP 2	A621	CQ 1	A622	CQ 2	A623	CR 1	A624	CR 2	A625	CS 1	A626	CS 2	A627	CT 1
------	-----	----	-----	----	-----	------	-----	------	-----	------	-----	------	-----	------	-----	------	-----	------	-----	------	-----	------	-----	------	-----	------	-----	------	-----	---	-----	------	-----	------	-----	------	-----	------	-----	------	-----	------	-----	------	-----	------	-----	------	-----	------	-----	------	-----	------	-----	------	-----	------	-----	------	-----	------	-----	----	-----	----	-----	------	-----	------	-----	------	-----	------	-----	------	-----	------	-----	------	-----	------	-----	------	-----	------	-----	------	-----	------	-----	---	-----	------	-----	------	-----	------	-----	------	-----	------	-----	------	-----	------	-----	------	-----	------	-----	------	-----	------	-----	------	-----	------	-----	------	-----	------	-----	------	-----	------	-----	----	-----	------	-----	------	-----	------	-----	------	-----	------	-----	------	-----	------	-----	------	-----	------	-----	------	-----	------	-----	------	-----	---	------	-----	------	-----	------	-----	------	-----	------	-----	------	-----	------	-----	------	-----	------	-----	------	-----	------	-----	------	-----	------	-----	------	-----	------	-----	------	-----	---	----	-----	----	-----	------	-----	------	-----	------	-----	------	-----	------	-----	------	-----	------	-----	------	-----	------	-----	------	-----	------	-----	------	-----	---	------	-----	------	-----	------	-----	------	-----	------	-----	------	-----	------	-----	------	-----	------	-----	------	-----	------	-----	------	-----	------	-----	------	-----	------	-----	------	-----	----	----	----	-----	------	-----	------	-----	------	-----	------	-----	------	-----	------	-----	------	-----	------	-----	------	-----	------	-----	------	-----	------	-----	------	-----	------	-----	---	------	-----	------	-----	------	-----	------	-----	------	-----	------	-----	------	-----	------	-----	------	-----	------	-----	------	-----	------	-----	------	-----	------	-----	------	-----	------	-----	------	-----	------	-----	------	-----	------	-----	------	-----	------	-----	------	-----	------	-----	------	-----	------	-----	------	-----	------	-----	------	-----	------	-----	------	-----	------	-----	------	-----	------	-----	------	-----	------	-----	------	-----	------	-----	------	-----	------	-----	------	-----	------	-----	------	-----	------	-----	------	-----	------	-----	------	-----	------	-----	------	-----	------	------	------	------	------	------	------	------	------	------	------	------	------	------	------	------	------	------	------	------	------	------	------	------	------	------	------	------	------	------	------	------	------	------	------	------	------	------	------	------	------	------	------	------	------	------	------	------	------	------	------	------	------	------	------	------	------	------	------	------	------	------	------	------	------	------	------	------	------	------	------	------	------	------	------	------	------	------	------	------	------	------	------	------	------	------	------	------	------	------	------	------	------	------	------	------	------	------	------	------	------	------	------	------	------	------	------	------	------	------	------	------	------	------	------	------	------	------	------	------	------	------	------	------	------	------	------	------	------	------	------	------	------	------	------	------	------	------	------	------	------	------	------	------	------	------	------	------	------	------	------	------	------	------	------	------	------	------	------	------	------	------	------	------	------	------	------	------	------	------	------	------	------	------	------	------	------	------	------	------	------	------	------	------	------	------	------	------	------	------	------	------	------	------	------	------	------	------	------	------	------	------	------	------	------	------	------	------	------	------	------	------	------	------	------	------	------	------	------	------	------	------	------	------	------	------	------	------	------	------	------	------	------	------	------	------	------	------	------	------	------	------	------	------	------	------	------	------	------	------	------	------	------	------	------	------	------	------	------	------	------	------	------	------	------	------	------	------	------	------	------	------	------	------	------	------	------	------	------	------	------	------	------	------	------	------	------	------	------	------	------	------	------	------	------	------	------	------	------	------	------	------	------	------	------	------	------	------	------	------	------	------	------	------	------	------	------	------	------	------	------	------	------	------	------	------	------	------	------	------	------	------	------	------	------	------	------	------	------	------	------	------	------	------	------	------	------	------	------	------	------	------	------	------	------	------	------	------	------	------	------	------	------	------	------	------	------	------	------	------	------	------	------	------	------	------	------	------	------	------	------	------	------	------	------	------	------	------	------	------	------	------	------	------	------	------	------	------	------	------	------	------	------	------	------	------	------	------	------	------	------	------	------	------	------	------	------	------	------	------	------	------	------	------	------	------	------	------	------	------	------	------	------	------	------	------	------	------	------	------	------	------	------	------	------	------	------	------	------	------	------	------	------	------	------	------	------	------	------	------	------	------	------	------	------	------	------	------	------	------	------	------	------	------	------	------	------	------	------	------	------	------	------	------	------	------	------	------	------	------	------	------	------	------	------	------	------	------	------	------	------	------	------	------	------	------	------	------	------	------	------	------	------	------	------	------	------	------	------	------	------	------	------	------	------	------	------	------	------	------	------	------	------	------	------	------	------	------	------	------	------	------	------	------	------	------	------	------	------	------	------	------	------	------	------	------	------	------	------	------	------	------	------	------	------	------	------	------	------	------	------	------	------	------	------	------	------	------	------	------	------	------	------	------	------	------	------	------	------	------	------	------	------	------	------	------	------	------	------	------	------	------	------	------	------	------	------	------	------	------	------	------	------	------	------	------	------	------	------	------	------	------	------	------	------	------	------	------	------	------	------	------	------	------	------	------	------	------	------	------	------	------	------	------	------	------	------	------	------	------	------	------	------	------	------	------	------	------	------	------	------	------	------	------	------	------	------	------	------	------	------	------	------	------	------	------	------	------	------	------	------	------	------	------	------	------	------	------	------	------	------	------	------	------	------	------	------	------	------	------	------	------	------	------	------	------	------	------	------	------	------	------	------	------	------	------	------	------	------	------	------	------	------	------	------	------	------	------	------	------	------	------	------	------	------	------	------	------	------	------	------	------	------	------	------	------	------	------	------	------	------	------	------	------	------	------	------	------	------	------	------	------	------	------	------	------	------	------	------	------	------	------	------	------	------	------	------	------	------	------	------	------	------	------	------	------	------	------	------	------	------	------	------	------	------	------	------	------	------	------	------	------	------	------	------	------	------	------	------	------	------	------	------	------	------	------	------	------	------	------	------	------	------	------	------	------	------	------	------	------	------	------	------	------	------	------	------	------	------	------	------	------	------	------	------	------	------	------	------	------	------	------	------	------	------	------	------	------	------	------	------	------	------	------	------	------	------	------	------	------	------	------	------	------	------	------	------	------	------	------	------	------	------	------	------	------	------	------	------	------	------	------	------	------	------	------	------	------	------	------	------	------	------	------	------	------	------	------	------	------	------	------	------	------	------	------	------	------	------	------	------	------	------	------	------	------	------	------	------	------	------	------	------	------	------	------	------	------	------	------	------	------	------	------	------	------	------	------	------	------	------	------	------	------	------	------	------	------	------	------	------	------	------	------	------	------	------	------	------	------	------	------	------	------	------	------	------	------	------	------	------	------	------	------	------	------	------	------	------	------	------	------	------	------	------	------	------	------	------	------	------	------	------	------	------	------	------	------	------	------	------	------	------	------	------	------	------	------	------	------	------	------	------	------	------	------	------	------	------	------	------	------	------	------	------	------	------	------	------	------	------	------	------	------	------	------	------	------	------	------	------	------	------	------	------	------	------	------	------	------	------	------	------	------	------	------	------	------	------	------	------	------	------	------	------	------	------	------	------	------	------	------	------	------	------	------	------	------	------	------	------	------	------	------	------	------	------	------	------	------	------	------	------	------	------	------	------	------	------	------	------	------	------	------	------	------	------	------	------	------	------	------	------	------	------	------	------	------	------	------	------	------	------	------	------	------	------	------	------	------	------	------	------	------	------	------	------	------	------	------	------	------	------	------	------	------	------	------	------	------	------	------

Note:

Unless stated otherwise, the supply voltage used is:
220V to 240V +/- 10%, 50 - 60 Hz +/- 5%.

Voltage and wave forms are measured in respect to earth.

Remarks:

- Never use the heatsink as earth.
- Where in the adjustment a pattern generator is mentioned, a colour pattern generator PM5418 has been used with an RF output voltage of 1mV.
- For some adjustments the set has to be put in the SAM (Service Alignment Mode).
- When in the text "Enter SAM" is mentioned proceed as follows:
- Enter SAM by Dealer Service Tool (button "ALIGN"), or via short-circuit the service pins 0028 and 0029 on the main PCB while switching on the set via the mains switch.
- The SAM menu is displayed when the SAM mode is entered (see also chapter 5).

8.1 Settings on the main chassis panel

8.1.1 (95V supply voltage (17", 21"))

- Connect a multi meter (DC) across C2551.
- Set brightness and contrast to minimum
- Tune to a colour-bar test signal
- Apply a colour bar pattern.
- Adjust potentiometer R3540 to:
 - 96.7V +/- 1V for 21" sets
 - 100V +/- 1V for 17" sets.

8.1.2 Geometry adjustments (software adjustment)

- Apply a cross hatch pattern
- Enter SAM.
- Enter into GEOMETRY menu.
- The value of the geometry settings can be decrement or increment by pressing the right or left key on the remote control.

Remark: Before doing the geometry alignment HSH,VSH and VAM, set first item VS (vertical slope) to 25 and SC (Vertical S-correction) to 13 for 21" and to 15 for 17".

* Horizontal centring

Select item HSH for horizontal shift.

* Vertical centring

Select item VSH for vertical shift

* Picture height

Select item VAM for vertical amplitude .

8.1.3 Focusing

- Apply a cross hatch pattern.
- Set brightness and contrast at maximum.
- Adjusted with focusing potentiometer (upper knob of LOT 5445) for maximum sharpness of the picture.

8.1.4 RF-AGC adjustment (software adjustment)

- Apply a PAL colour bar pattern and set RF-frequency on 189.25MHz (output voltage 1mV).
- Enter SAM

- Enter into TUNER menu, select item AGC for RF AGC adjustment.
- Connect a multi-meter (DC) at pin 1 of the tuner.
- The "AGC" value can be increment or decrement by pressing the remote control right or left key. Adjust so that the voltage at pin 1 of the tuner is 5V (0.5V DC

8.1.5 Picture demodulator adjustment.

- Enter SAM .
- Enter into TUNER menu
- Connect a signal generator (PM5326) to pin 11 of the tuner

* IF-PLL setting (for all versions)

- Set generator signal to 38.9MHz (negative modulation).
- Set AFW = 80 and adjust IF PLL until AFA = 1 and AFB is just switching from 1 to 0 or 0 to 1.

* IF-PLL L ACCENT setting

- Set generator signal to 33.9MHz (positive modulation) in Band I & System L for Mono BGLI version
- Set generator signal to 34.0MHz (positive modulation) in Band I & System L for Nicam BGLI version.
- Set AFW = 80 and adjust IF PLL ACCENT until AFA = 1 and AFB is just switching from 1 to 0 or 0 to 1.

Remark: For IF PLL ACCENT adjustment, the set has to be tuned on system France, VHF 1 and varicap voltage <9V.

8.2 Vg2 and white-D settings

8.2.1 Vg2 cut off alignment

- Apply a black picture pattern.
- Connect an oscilloscope to the picture tube cathodes for red, green and blue. Set the oscilloscope to DC 50V/Div and 2ms/Div.
- Measure the DC level of the measuring pulses at the end of the frame blanking (see Fig 8.1)
- Adjust the VG2 potmeter (lower knob on the LOT) so that the measuring pulses with the highest level are:
 - 140V +/- 2V for 21"
 - 130V +/- 2V for 17"

8.2.2 White-D adjustment (software adjustment)

- Enter into WHITE TONE menu, select item WARN, COOL or NORMAL, only one of the three items Apply a white raster pattern.
- Enter SAM (see chapter 6).
- (R, G or B) will be displayed on the screen.
- The initial default value for all setting is 37.
- The factory settings of the colour temperatures are :
 - WARM(R = 45, G = 32, B = 26)
 - NORMAL(R = 37, G = X, B = Y)
 - COOL(R = 37, G = 32, B = 31)

Remark: X and Y values in NORMAL setting are adjusted for 8500K colour temperature.

8 Electrical adjustments

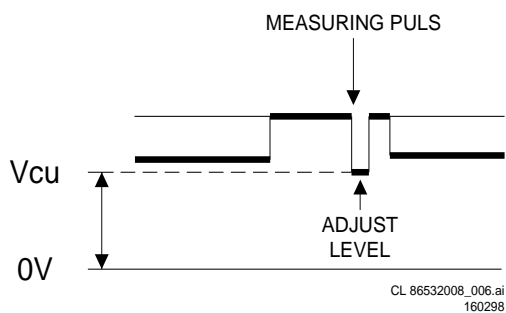
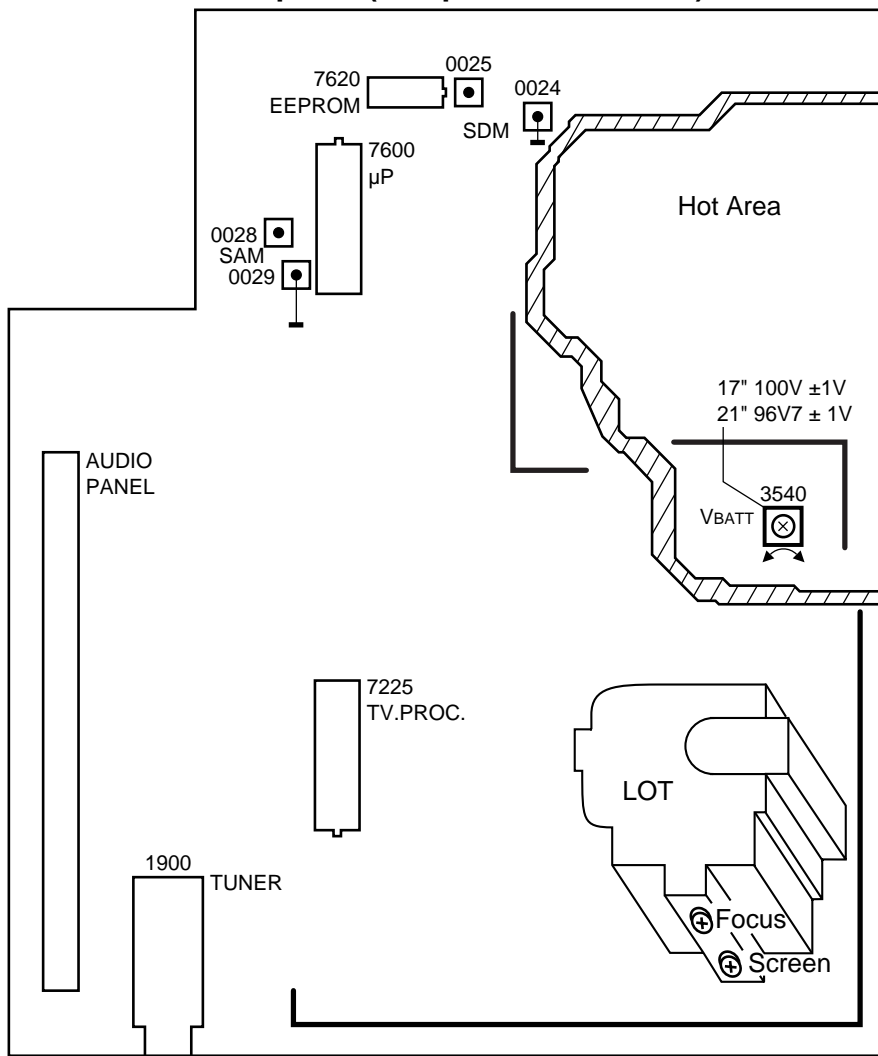
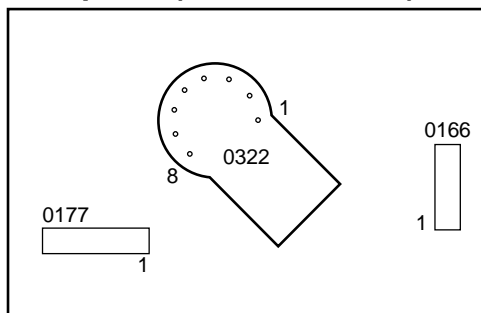


Figure 8-1

Main panel (component side view)



CRT panel (track side view)



CL86532008_010.ai
170298

Figure 8-2

Introduction

For a quick overall view of all diagrams see the block diagram on sheet 4.

This chassis is executed with:

- A mains isolated SMPS (switched mode power supply)
- A single chip TV processor with software controlled picture geometry adjustments
- Micro computer with teletext function (execution depended)-
- Separate audio module (multi mono or NICAM) with output amplifier

9.1 Power supply (Diagram A1)

9.1.1 Mains input and degaussing

The mains voltage is filtered by L5500, L5501 and L5502, full wave rectified by a diode bridge (6502-6505) and smoothed by C2508. The DC voltage for the SMPS is applied at pin 7 of T5545 (e.g. 300V DC for 220V AC mains).

The degaussing current is applied via dual PTC resistor R3504. After switching "on" the set, the PTC is cold so low-ohmic and therefore the degaussing current is very high. During degaussing, the PTC is heated up and is getting high-ohmic, as a result the current through the PTC becomes very low.

9.1.2 Switched mode power supply

The switched mode power supply (SMPS) is mains isolated. The control device IC7520 (MC44603AP) delivers duty cycle controlled pulses for driving switching FET 7518. The pulses have a fixed frequency of 70 kHz in normal operation.

For a detailed block diagram of IC7520 (MC44603) see Fig. 9.1.

9.1.3 Start up and take over circuitry.

Via the start-up circuitry R3530 and R3529 one side of the 220V AC mains is used to start-up IC7520 via the supply pin (Vpin 1). As long as Vpin 1 has not reached 14V5, IC7520 does not start up and only sinks 0.3mA. As soon as Vpin 1 reaches the 14V5, IC7520 starts driving FET 7518 into conduction and pin 1 sinks a typical supply current of 17mA. This supply current can not be delivered by the start-up circuit, so a take-over circuit has to be available. If no take-over takes place, the voltage on pin 1 will decrease and IC7520 switches off. In that case the restart will start again. During start-up a voltage across winding 1 - 2 is built up. At the moment the voltage across winding 1 - 2 reaches approx. 12V, D6540 starts conducting and takes over the supply voltage Vpin 1 of IC7520 (take over current is approx. 17mA).

9.1.4 Secondary output voltages sensing (pin 14 of IC7520)

Winding 1 - 2 has the same polarity as the secondary windings which are supplying the load. During the FET is not conducting the secondary windings and winding 1-2 are positive. D6537 conducts and charges C2537; the DC level across C2537 is a reference for the secondary output voltages e.g. the +95V(VBATT). This control voltage (feedback voltage) is applied via voltage divider R3538, R3539 and potentiometer R3540 (for adjusting the +VBATT) to the error amplifier input IC7520 pin 14.

9.1.5 Primary current (I-prim) sensing (pin 7 of IC7520)

The current sense voltage Vpin 7 is a measure for the I-prim through FET 7518. The I-prim is converted into a voltage by R3518. The current sense voltage Vpin 7 is used to control both the secondary output voltages and the maximum I-prim.

9.1.6 Demagnetization control (pin 8 of IC7520)

The voltage across winding 1 - 2 has the same polarity as the voltage across the secondary windings. As a result the voltage across this winding is negative during the FET is conducting, and positive during the FET is not conducting. The so called demagnetization "DEMAG" function in IC7520 (input pin 8) is used for blocking the output Vpin3 during the time that there is still energy in the transformer (Isec not zero). This is realized by delaying the switch "on" point of the FET until the demagnetization is completely finished.

9.1.7 Standby mode

In the standby mode the load decreases under a certain threshold level. The SMPS is then switching to the so called "reduced frequency mode". The switching frequency is then reduced to 20 kHz. The minimal load threshold level is determined by R3532 connected to pin 12.

In normal operation mode the internal oscillator is adjusted at 70 kHz. This frequency is determined by C2531 and R3537 connected to pin 10 and pin 16 respectively of the IC7520.

In standby mode the internal oscillator is adjusted at 20 KHz. This frequency is determined by R3536 connected to pin 15 IC7520.

9.1.8 FET 7518 gate regulation

D6524 prevents pin 3 of IC7520 from becoming negative (this will destroy the IC) due to stray inductance in the gate part of the FET. The safety resistor R3525 limits the drive current to the gate of the FET 7518

9.1.9 Over voltage protection of the secondary voltages

After start-up is the supply voltage Vpin 1 taken over by positive winding 1 - 2, and so after start up Vpin 1 is a measuring point for the secondary output voltages. After start-up (via an internal switch) this Vpin 1 is internally tapped (voltage divided) to a voltage which can be measured at pin 6 (so Vpin 6 is also a measuring point for the secondary output voltages). As soon as the voltage Vpin 6 > 2V5 the logic in IC 7520 will shut down the output at pin 3. This 2V5 threshold at Vpin 6 is equivalent to a Vpin1 of 16V DC which is equivalent to a voltage at the supply voltage (VBATT of approx. 95V DC (normal operation) and 102V DC (standby). After switching "off" because of over voltage protection, the IC starts up again. In case an over voltage situation is sensed at the secondary output voltages, the SMPS will go in over voltage protection. In case the over voltage situation remains present, the SMPS will give over voltage protection slow-start, over voltage protection slow-start, etc. (a very good audible hick-up mode).

9.1.10 Undervoltage protection of the secondary voltages

If the supply voltage Vpin 1 < 9V DC the output pulse at pin 3 will be shut down. As soon as Vpin 1 < 7V5, the IC7520 will be totally shut "off". Vpin 1 of 9V DC is equivalent to a voltage at (VBATT of approx. 70V DC (normal operation) and 95V DC(standby). Vpin 1 of 7V5 is equivalent to a voltage at

9 Circuit diagram description

(VBATT of approx. 55V DC (normal operation) and 65V DC (standby)).

In case an under voltage situation is sensed at the secondary output voltages, the SMPS will first switch "off" the pulse and then switch "off" the complete IC 7520.

In case the IC 7520 is switched "off", the SMPS will switch "off". In case the under voltage situation remains present, the SMPS will give under voltage protection, slow-start, under-voltage protection, slow-start, etc. (a very good audible hick-up mode).

9.1.11 Unload protection

In case the load goes down (e.g. the line deflection goes down because of standby mode or some failure in the line deflection circuit) this is detected by IC7520 via I-prim and secondary output voltages sensing. In case the load decreases below a certain threshold the SMPS will switch in "reduced frequency mode" of 20 kHz (this threshold is determined by the voltage level at pin 12 IC7520);

In case of an unload situation the set will switch to "low frequency mode" or standby mode. Whether this unload situation of the SMPS is caused by the standby command or by a failure (e.g. in the line circuit), can only be determined by switching on the set again which the remote control, in case of standby mode the TV will switch "on" again, in case of unload situation the set will not switch "on".

9.1.12 Overload (short-circuit) protection

If the secondary load becomes too high, I-prim becomes too high which is sensed by the current sense voltage Vpin 7. This voltage Vpin 7 is not allowed to exceed 1V DC by IC 7520 and so gives current limiting.

As the I-prim is limited, the secondary output voltages will also drop and so supply voltage Vpin 1 will drop. As soon as Vpin 1 < 9V DC the driving pulse at pin 3 will stop.

As a result of these 2 mechanism in case of an overload the secondary voltages will drop very fast. This is called the fold-back mechanism, the fold-back point can be adjusted by pin 5 IC7520 this point is adjusted to a maximum tolerable output power of 85W at 90V AC and 165W at 276VAC.

After this fold-back, the IC starts up again. In case the overload situation remains present, the SMPS will give fold back again, slow-start, fold-back, slow-start, etc.;

As a result in case of short-circuit (or overload) the TV will be in a very good audible hick-up mode.

9.1.13 Output voltages

- +VBATT (95V) used for the line output stage and the tuning system.
- 10V / 14V used for the audio amplifier.
- 14V used for the horizontal synchronization circuit and as input voltage for IC7541.
- +5V (pin 9 of IC7541). used for the control circuit The 5V is also available in the standby mode).
- +8V (pin 8 of IC7541) used for the video processing. The +8V output is determined by the voltage on pin 7 of IC 7541 This voltage is adjusted via voltage divider 3552 and 3554.

9.1.14 DC Output Voltages Protections

- +5V protection :When any overload for the +5V supply occurs (pin 1 of IC7541 < 6.5V) the protection circuit in IC7541 turns on. and shuts down the +5V supply. and also +8V supply.
- +8V protection : When any overload for the +8V supply occurs (pin 1 of IC7541 < 6.5V) the protection circuit in IC7541 turns on and shut down the output +8V supply. If the voltage on pin 7 is < 2.4V the +8V will also shut down.

9.2 Single chip TV-processor IC7225 (TDA8374)

Introduction :

In this chip most of the video, audio and sync circuits are integrated.

In the diagrams the IC is split up in next 5 parts (5A,5B,5C,5D and 5E).

- IC7225-5A, video detector (see diagram A3).
- IC7225-5B, source select en PAL demodulator (see diagram A3).
- IC7225-5C, video control (see diagram A3).
- IC7225-5D, horizontal and vertical synchronization (see diagram A2)
- IC7225-5E, mono sound FM demodulator (see diagram A5)

9.3 Micro computer (Diagram A4)

Two kinds of microprocessors are used, one with and one without teletext function The (C with teletext (IC7600) is drawn in the diagram with the outer pin numbering. In case of no TXT a (C (IC7601) is used with fewer pins. This (C is drawn in the diagrams with the internal pin numbering. In case of the (C with integrated teletext function, the CVBS-TXT signal is fed to pin 23. The TXT and OSD information are combined at pins 32-33-34.

9.4 The line output circuitry (see diagram A2)

Pin 40 IC 7225-5D delivers the drive signal for the line output stage. Via TS7440 and TS7441 the drive signal is applied to the line output transistor 7445 and line output transformer (LOT) 5445. The line output stage supplies the line deflection current. Via secondary windings of the LOT the following supply voltages are generated:

- EHT voltage (25kV)
- Vg2 voltage
- Focus voltage
- Filament supply voltage (ff)
- (160V for RGB amplifiers on the CRT panel
- +5.5V for the control circuit and tuner supply
- + 9V for the tuner supply
- +13V for the control and vertical drive output circuit
- -13V for the vertical drive output circuit

9.5 Frame output circuitry

IC 7401 (TDA9302) is used for the vertical deflection. This IC is controlled on pins 1 and 3 by the vertical drive signal delivered by IC 7225-5D. The deflection current is generated on pin 5. The vertical fly-back voltage is generated on pin 3 of the IC.

9.6 Protections

General: In the set next protections are build in:

9.6.1 Fast discharge circuit.

TS7420 and TS7421 (see diagram A1) formed a fast discharge circuit. When the voltage on the collector of TS7421 is $>6V$ the circuit will switch off the horizontal drive immediately via pin 50 IC7225-5D (see diagram A2).

9.6.2 CRT flash protection.

The BCI information is applied to pin 42 of IC7225-5D (diagram A2) If due to a flash in the picture tube the voltage on pin 42 is $>6V$, the horizontal drive is switched off immediately. If the voltage is again $<6V$ the horizontal drive is switched on again.

9.6.3 EHT over voltage protection.

The BCI information is also applied to pin 50-IC7225-5D (diagram A2). First the BCI compensate vertical picture

amplitude variations due to beam current variations. The control range is between 1.2V and 2.8V. However if the voltage on pin 50 exceeds 3.9V the EHT over voltage protection is activated and the horizontal drive is switched off.

9.6.4 +13V protection

Protection input pin 16 of IC7600 (see diagram A4). If this pin is connected to ground, the set is switched in protection. At this pin the +13V is monitored via the circuit 7655,7608. The emitter of 7608 becomes "low" (0V7 lower than the base voltage) if the +13V drops. This will force pin 16 of the (C "low" and will switches the set in protection.

9.6.5 +13V and -13V protection

Vertical deflection output IC7401(see diagram A2) is supplied by +13V and -13V. When the current delivered by the +13V or 13V is increasing to much will this result in a voltage drop of $<6.5V$.at pin 3 of the IC (VFL) . This voltage drop is applied to pin 37-IC7600 (micro computer). The micro-computer will place the set in the standby mode.

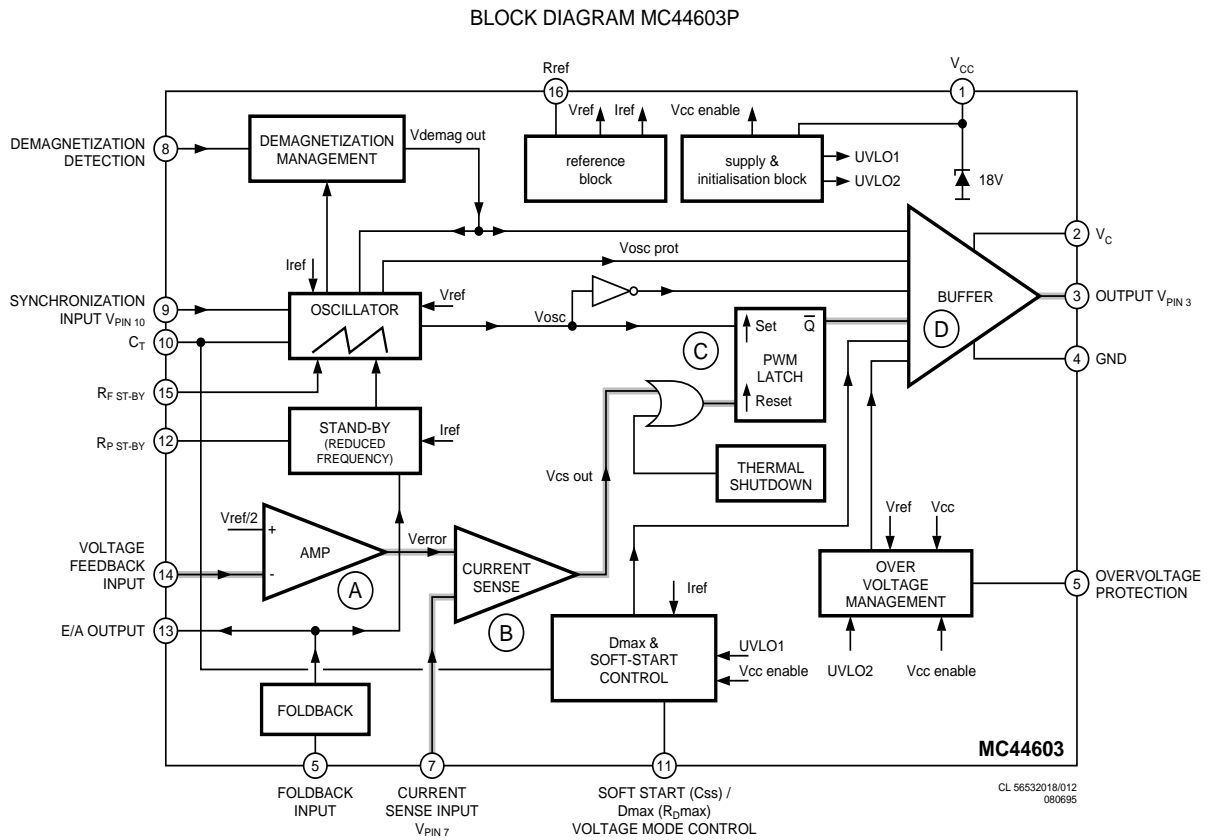
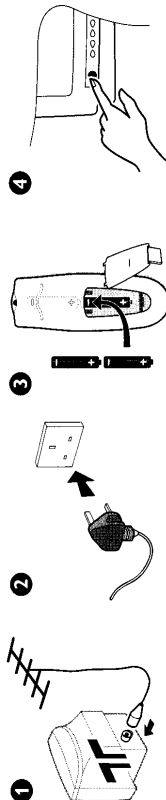


Figure 9-1

Introduction

Thank you for purchasing this television set. This handbook has been designed to help you install and operate your TV set. We would strongly advise you read it thoroughly. We hope our technology meets entirely with your satisfaction.

Installation



Insert the aerial plug into the socket at the rear of the set. (220-240V/50Hz).

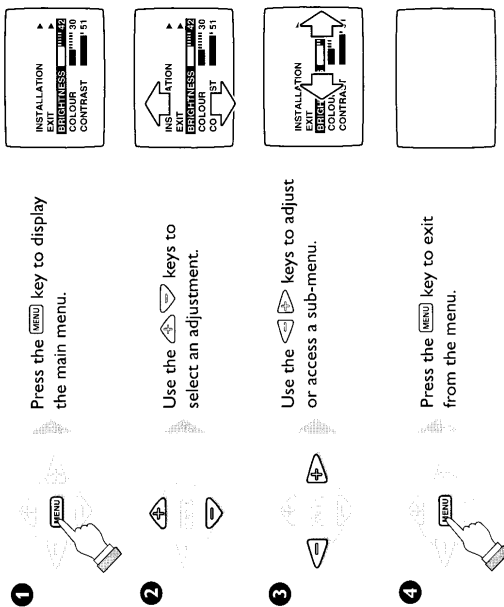
Insert the 2 LR03-type batteries (supplied) making sure they are the right way around.

Press the on/off key to switch on the television. If the television remains in standby mode, press the P key on the remote control.

Remark: When you switch on the TV set for the first time, the INSTALLATION menu automatically appears on the screen.

Using the menus

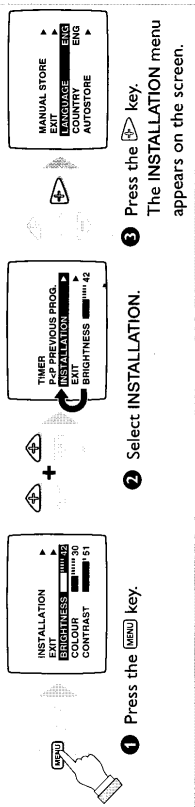
The menus are displayed on the television screen. They are used to tune in the channels and to access all settings. They are used in the following way:



N.B.: The main menu automatically disappears after 30 seconds if no action is taken. The [EXIT] key also allows you to exit the menus.

Tuning-in the TV channels

To call-up the Installation menu



N.B.: If the INSTALLATION menu is not displayed the childlock function is enabled

Selecting the menu language and the country

From the INSTALLATION menu:

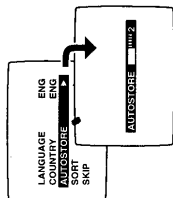
- 1 Select LANGUAGE and choose the language you wish to use (OK key). The text for all the menus will appear in the language you have chosen.
- 2 Select COUNTRY (OK key) and choose the country (GB for Great Britain).



Automatic store

From the INSTALLATION menu (once the COUNTRY has been selected):

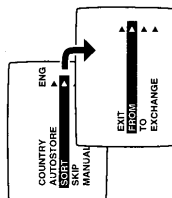
- 1 Press the OK key.
 - 2 Select AUTOSTORE (OK key) and press OK.
- The TV set searches and stores all the programmes it finds. The search operation takes a few minutes. When the search is complete, the INSTALLATION menu reappears automatically.
- The programmes found will be numbered in ascending order starting from 1, 2, 3, 4, Use the SORT menu to re-number the programmes correctly. The search starts from the programme number displayed on the screen. If the transmitter emits the automatic sort signal, the programmes are correctly numbered. If some programme have no sound, check that you have the correct SYSTEM (see MANUAL STORE p.3). If no programme is found, refer to the chapter entitled 'Tips' (p.8). To exit or interrupt the search, press the MENU key.



Programme sort

This menu allows you to re-number the programmes in the order you prefer.

- From the INSTALLATION menu:
- 1 Select SORT using the OK key and press OK.
 - 2 The SORT menu is displayed.
 - 3 Select FROM (OK key) and choose the programme to be re-numbered using the left and right arrow keys or using keys 0 to 9. If, for example, you want to re-number programme 10 as 2: Type: 01 0.
 - 4 Select TO (OK key) and enter the new number using the left and right arrow keys or using keys 0 to 9 (in our example, type 2).
 - 5 Select EXCHANGE (OK key) and press OK.
- The message OK appears and the exchange is made (OK can be used to cancel). In our example programme 10 is re-numbered as programme 2 (and programme 2 is re-numbered as programme 10). Repeat this operation for as many programmes as you wish to re-number.
- To exit from the SORT menu, press the MENU key several times.



The remote control keys

Selecting TV programmes
Use the P and < keys to move up or down a programme. To sequentially display all of the programmes hold the key down for 3 seconds. Press again to cancel. For some programmes equipped with teletext, the title of the programme appears briefly at the bottom of the screen. NB: Programmes which have been skipped or locked are not accessible (refer to SKIP and CHILDLOCK menus, pages 3 and 7).

Screen information
To briefly display the programme number and the sound mode (stereo models).
Use keys and to adjust the volume.

Mute key
To disable or enable the sound.

Numerical keys
For direct access to programmes. For a 2 figure programme number, the second figure must be entered before the dash disappears.

Switch teletext on/off
To call-up or exit from teletext.

Teletext features
Refer to next page.

Smart controls
Press the key to obtain the following picture settings: RICH, SOFT, NATURAL and return to MANUAL. Press the key to obtain the following sound settings: THEATRE, MUSIC, SPEECH and NORMAL (or MANUAL for stereo models).

Game
This key is used for the direct selection of the front (on certain versions) and rear EXT sockets with a picture preset that is adapted to game consoles.

Timer
This key provides direct access to the TIMER menu (page 7). To exit from this menu, press the key twice.

Menu
To call-up or exit from the menus. Use the < and > keys for selection and the < and > keys for adjustment.

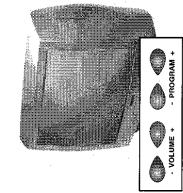
Standby
To set the TV to standby mode. The red indicator lights up. To switch the TV set on again, press P, < or > or keys 0 to 9.

Select EXT sockets
This key is used to select EXT(1) (rear socket), EXT2 (front socket: on certain versions) and to return to the TV programme.

Surf P-P
Use this key to return to the previous programme or to display the surf list (page 6).

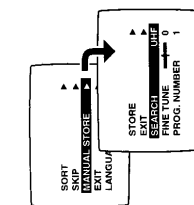
Sound mode (stereo models)
Pressing this key allows you to switch from STEREO to MONO sound or to choose between language I and language II in the event of bilingual transmissions.

The keys on the TV set



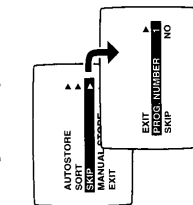
The TV set has 4 keys (on some models these are located behind a flap). The VOLUME - + keys are used to adjust sound levels. The PROGRAMME - + keys are used to select the required programmes. To access the menus, hold down the VOLUME - and VOLUME + keys. The PROGRAMME - + keys may then be used to select an adjustment and the VOLUME - + keys to make that adjustment. To exit from the menus, select the EXIT item (by using the PROGRAMME - + keys) and press the VOLUME + key.

Manual store



- This menu allows you to store each programme manually. From the INSTALLATION menu:
- 1 Select MANUAL STORE (key) and press < .
 - 2 The MANUAL STORE menu appears.
 - 3 Select SYSTEM (according to model). Use the < key to select the standard reception, FRANCE (standard LL), EUR. W (BG) or UK (I). Select SEARCH and press < . The search begins. As soon as a programme is found, the search will stop. The frequency band is displayed (VHF1, VHF3 or UHF). Use the < key to select the frequency band. If no programme is found, refer to the «Tips» chapter (page 8).
 - 4 If the reception is not satisfactory, select FINE TUNE and hold down key < or > to adjust.
 - 5 Select PROG. NUMBER and enter the required programme number using the < keys or using keys 0 to 9.
 - 6 Select STORE and press < .
 - 7 The message OK appears. The programme is stored.
 - 8 Repeat steps 3 to 6 for each programme to be stored.
 - 9 To exit from the MANUAL STORE menu, press the key several times.

Skip the programmes



- This menu allows you to skip programmes which can be accessed using the P < keys on the remote control. From the INSTALLATION menu:
- 1 Select SKIP (key) and press < .
 - 2 The SKIP menu appears.
 - 3 Select PROG. NUMBER (key) and use the < keys or keys 0 to 9 to select the programme you wish to skip.
 - 4 Select SKIP and use the < keys to choose YES to skip the programme or NO so that it remains accessible. Only the programmes found during the search are set to NO (all other programmes are set to YES by default).
 - 5 Repeat steps 2 and 3 for as many programmes as you wish to skip.
 - 6 Press the key 3 times to exit from the INSTALLATION menu. The P < keys on the remote control can now be used to access those programmes and EXT sockets which are set to NO in the list. The programmes skipped can always be accessed using keys 0 to 9.

To exit from the menus ...

Press the key several times.

Using teletext

Teletext is an information system, broadcast by certain TV channels, which can be consulted in the same way as a newspaper. It also provides subtitles.

Press:



Time display

When the teletext is switched off, press this key to display the time in the top right-hand corner of the screen.

The time is not displayed if the channel selected does not broadcast teletext.



Switch teletext on/off

To call-up or exit from teletext: The main index page presents a list of subjects to which you have access. Each subject has a corresponding 3 digit page number.

If the selected TV channel does not broadcast teletext, 100 is displayed and the screen remains black (if this is the case, switch off teletext and choose another TV channel).



Selecting a teletext page

Use keys 0 to 9 to enter the page number required. E.g. page 120, type 1 2 0. The number is displayed in the top left-hand corner of the screen, the page counter starts searching and then the page selected is displayed. Keys P and < and > allow you to access previous or following pages. If > xxx < flashes briefly or the counter continues searching, this means that the selected page is not broadcast. If this is the case, choose another number.



Direct access to a subject

Coloured zones are displayed at the bottom of the screen. The 4 keys with coloured borders allow access to the subjects or their corresponding pages. The coloured zones flash when the page or the subject is not yet available.



Enlarging a page

Press this key to display the upper part, the lower part and then to return to the normal page size.



Direct selection of a sub-page

Certain pages have sub-pages which follow on automatically. To access a sub-page directly, press the < key. The page number is replaced by 4 dashes. Type the number of the sub-page required using 4 numbers, e.g. type 0002 to consult sub-page 2. The number of the current page reappears, the page counter searches and then the sub-page is displayed.



Stop the sequence of sub-pages

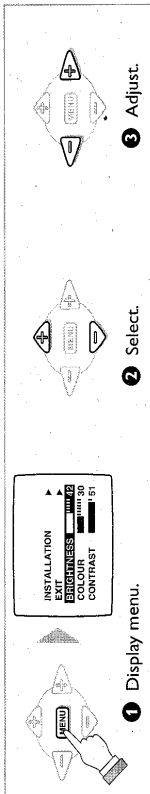
Pressing this key enables and disables the sequence of sub-pages. The message < appears in the top left-hand corner of the screen.



Reveal

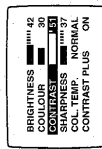
Use this key to reveal/conceal hidden information (solutions to games).

Other menu adjustments



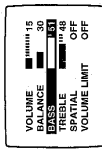
Picture adjustment

Display the Picture menu. You can now access the adjustments for BRIGHTNESS, COLOUR, CONTRAST, SHARPNESS and COL. TEMP.: which adjusts the colour temperature of the picture; COOL (blue white), NORMAL (balanced) or WARM (red white). CONTRAST PLUS: which enables clarity of the contrast.



Sound adjustment

Display the Sound menu. You can now set the VOLUME, and make the following adjustments for stereo equipment: BALANCE, TREBLE, BASS and SPATIAL: this function enhances the stereo effect, giving the impression that the speakers are positioned further apart. VOLUME LIMITER: this function is used for automatic level control in order to avoid sudden increases in volume (particularly when changing channels or during advertisements).



Storing adjustments

Storing is automatic: once an adjustment is made using the menus, it is stored automatically (this happens after 1 minute if no action is taken or as soon as another programme is selected). The adjustments for the EXT sockets and for programmes 0 to 11 are stored individually; a different adjustment is possible for each of these programmes (except for the volume). The adjustments for programmes 12 to 99 are stored in the same way.

To restore the factory picture adjustments, set the smart controls on NATURAL and modify one of the Picture menu items (this will automatically store the settings).

Surf function

This menu is used to select the function to be attributed to the P-P key on the remote control. Display the menu, then:

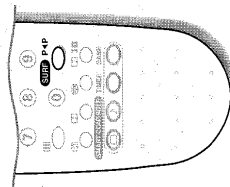
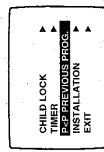
- 1 Select P-P and choose PREVIOUS PROG. or SURF LIST.
- 2 Press the < key to exit the menu.

PREVIOUS PROG. mode: the P-P key on the remote control is used to access the last programme watched.

SURF LIST mode: the P-P key is used to display a list of favourite programmes (maximum of 8). To store this list:

- 1 Display one of your favourite programmes (e.g. number 4).
 - 2 Before the number disappears, press the P-P key.
 - 3 The SURF LIST message appears. The programme is stored.
 - 4 Repeat operations 1 and 2 for each programme to be stored (e.g. programme No. 9, 1 and 12).
- Use the P-P key to access your favourite programmes directly (in our example Nos. 4, 9, 1 and 12).

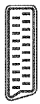
To reset the surf list, set the P-P menu to PREVIOUS PROG and then to SURF LIST.



Connecting peripheral equipment

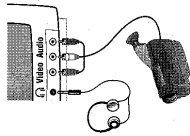
Rear connection

You can connect any equipment that has a euroconnector socket to your TV set (video recorder, decoder, etc.).
For further information on connecting a video recorder, refer to its user manual.



Front connections

When the headphones are connected, the sound on the TV set is automatically muted. Press keys \blacktriangleleft and \blacktriangleright to adjust the volume.
Some models have AUDIO / VIDEO connections on the front of the TV set. There is 1 video input + 1 sound input (mono models) or 2 (L) and (R) sound inputs for stereo models. For a mono sound camcorder, connect the audio signal to the AUDIO L input. Use the I-II key to reproduce the sound on the left and right loudspeakers of the television.



To select the connected equipment

Use the $\left[\rightarrow \right]$ key on the remote control to select the EXT(1) (rear socket) or EXT2 (front socket; on certain models).

Most equipment (decoder, video recorder) carries out the switching itself. When a peripheral device provides RGB signals (game, satellite receiver, ...), it has priority over the TV programmes. The peripheral device has to be switched off if you want to watch the TV channels. If you wish to avoid this inconvenience, configure the peripheral equipment to provide composite video signals (CVBS PAL/SECAM) instead of RGB signals (refer to the peripherals user manual).

Tips

Installation

To avoid any dangerous situations and operating faults, do not place anything on the TV set and leave a space of at least 5 cm around the appliance.

Impossible to call up the INSTALLATION menu?

The CHILDLOCK function is enabled (refer to page 5). To rapidly unlock all programmes, call up the CHILDLOCK menu and enter your confidential code. Set the PROGRAMME item to ALL. Set the LOCK item to YES and then to NO. All the programmes are now unlocked.

Poor reception or no picture

The proximity of mountains or high buildings may be responsible for ghost pictures, echoing or shadows. If this is the case, modify the orientation of the outside aerial and check that the TV channel is tuned in correctly (refer to FINE TUNE page 3). Does your antenna enable you to receive broadcasts in this frequency range? Have you chosen the correct system (page 3)? Are your aerial and euroconnector sockets correctly connected? If the peripheral equipment connected to the EXT1 is on switch it off.

Standby

To save electricity it is advisable to switch the TV set off using the on/off key on the front of the set. If the set receives no signal for 15 mins, it automatically switches to standby mode.

Still no results?

If you have a problem with your TV set, never attempt to repair it yourself: contact your dealer's after-sales service.

Recycling directive

Your TV set uses materials which are reusable or which can be recycled. To minimise the amount of waste in the environment, specialist companies recover used sets for dismantling and collection of reusable materials (consult your dealer).

Timer

This menu allows you to program the TV to automatically switch on with the programme of your choice.

- 1 Display the menu, select **TIMER** and then press \blacktriangleright . The **TIMER** menu appears.
- 2 Select **SET CLOCK** and enter the time using keys \odot to \ominus .
N.B.: Every time the TV is switched on the clock is automatically updated on the basis of the teletext information in programme No. 1. If the TV set does not feature teletext, this update will not occur.
- 3 Select **START TIME** and enter the time at which you wish the TV to switch on.
- 4 Select **PROGRAMME** and enter the programme number required.
- 5 Select **TIMER ACTIVE** and set to **ON**. (**OFF** to disable).
- 6 Press twice on the [MENU] key to exit from the menu.

If you now switch the TV set to standby ([MENU] key), it will automatically switch on at the time programmed.

To cancel: Switch **TIMER ACTIVE** back to **OFF**.

N.B.: The programming will not function correctly if you use the on/off key on the front of the TV to switch off the TV set.

Sleeptimer

Display the menu, select **SLEEPTIMER** and use the \blacktriangleright key to enter the length of time after which the TV will switch to standby mode (up to 120 mins).

Press the [MENU] key on the remote control to display the length of time remaining.

Childlock

This menu allows you to lock the TV set and to disable access to certain or all of the programmes.

*N.B.: When a programme is locked, the search function is no longer possible (the **INSTALLATION** menu is no longer accessible).*

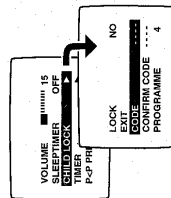
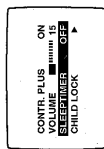
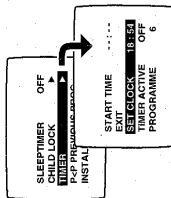
- 1 Display the menu, select **CHILDLOCK** and press \blacktriangleright .
 - 2 The **CHILDLOCK** menu appears.
 - 3 Select **PROGRAMME** and enter the number of the programme you wish to lock. To lock all programmes, select **ALL** using the \blacktriangleleft key (above programme No. 0).
 - 4 Select **LOCK** and then **YES**. The screen turns black. Repeat operations **2** and **3** for each programme to be locked (maximum of 5).
 - 5 Select **CODE** and enter your confidential 4 digit code.
 - 6 Select **CONFIRM CODE** and enter the same code number again. The **LOCK** menu is replaced by a **CODE** menu.
- The TV set is now locked. The locked programmes are no longer visible: a black screen appears with a **LOCKED** message.

To cancel: Select **CODE** and enter your confidential number.

The **CHILDLOCK** menu reappears. Now repeat operations **2** to **6** by selecting **LOCK** and then **NO**.

6 Press the [MENU] key to exit from the menu.

N.B.: The childlock will not function with EXT sockets that receive an RGB signal (most game consoles). Should you forget your confidential code, enter the universal code 8888.



11 Abbreviations

(R-Y)_OUT	R-Y output from chroma demodulator	RAM	Random Access Memory
uC	Microcomputer	RESET1	Reset signal for the uC
AQUA	Aquadag layer on the outside of the picture tube	RF_AGC	Automatic gain control signal I for tuner
AV_MUTE	Signal to mute the sound on the Audio-out cinch	RIGHT_OUT	Audio right out
AVL_AV2/AVL	Switching signal from UP to the Auto Volume leveller on the ITT on Panel	ROM	Read Only Memory
B_TXT_OSD	Blue TXT or OSD signal from (C to the video controller IC7225-5C	SAM	Service Alignment Mode
BASS	Control signal for BASS	SANDCASTLE	Sand castle signal from IC7225-5D to delay line IC7255 and SECAM chrominance decoder IC7241.
BCI	Beam Current information	SCL	Clock line of the 12C-bus
BG/1_or_BG/0 K	Monochrome TV system sound carrier + 5.5MHz (BG), Sound carrier + 6MHz(I), Sound carrier + 6.5MHz(DK)	SDA	Data line of the 12C-bus
BL_TXT_OSD	Fast blanking signal to IC7725-5C to display OSD and TXT	SDM	Service Default Mode; predefined mode for faultfinding
BLACKSTR_SW	Black stretch switch	SECAM_REF	SECAM reference
BS1	TV band selection 1 signal	SID/STA/LL	Sound identification / stereo available / France system "L"
BS2	TV band selection 2 signal	SIF	Sound IF signal for FM demodulator
CHROMA_O/ NTSC_SW	Switch on signal for NTSC chroma oscillator (3.575MHz)	STANDBY	Switching signal from microcomputer "low" for standby (power supply will be switched to stand-by mode), "high" for normal operation
CHROMA_1/BG/L	Switch on signal for BG/L chroma oscillator (3.582MHz)	TREBLE	Treble control signal
CHROMA_1/ STATUS	Switch on signal for NTSC chroma oscillator (3.579MHz)	V_TUNE	Tuning voltage for tuner
CHROMA_2/ STATUS	Signal to select the correct system in case of trinorma	VFB	Vertical flyback pulse
CVBS_EXT1	CVBS external 1 input signal	VFL	50 Hz vertical flyback pulse used to inform the microcomputer that flyback takes place. This is important for OSD and TXT
CVBS_EXT2	CVBS external 2 signal	VG2	Voltage on grid 2 of the picture tube
CVBS_IN	CVBS internal 1 (from tuner)	VOLUME	Control signal (from uC, but on DC level via RC network) for volume control of sound processing in sound panel
CVBS_OUT	CVBS output signal		
CVBS_OUT_1	CVBS output signal 1		
CVBS_SOUND	CVBS for inter carrier sound detector		
CVBS_TXT	CVBS for TXT processing in uC		
DISCHARGE	To have a fast discharge after switching off the set		
EAR	Earth		
EEPROM	Electrical Erasable Programmable Read Only Memory		
ESD	Electrical Static Discharge		
ff	Filament (heater voltage) from LOT to the picture tube		
FL_A	Filament voltage for CRT		
G_TXT_OSD	Green TXT or OSD signal from the microcomputer to IC7225-5C		
GND	Ground		
GRD_LOT	Ground of LOT		
HOR.FLYBACK	Horizontal flyback pulse used for looking the horizontal oscillator		
12C	Digital Control bus of the microcomputer		
IF	Intermediate frequency signal for sound processing		
INT/EXT	Switching signal for Internal or external audio + video switching		
L_EXT1	Audio left external 1		
LEFT_OUT	Audio left out		
MOD_L_1N1	SCART I/P 1 in left		
MOD_L_1N2	SCART I/P 2 in left		
MOD_R_1N1	SCART I/P 1 in right		
MOD_L_1N2	SCART I/P 2 in right		
MONO/STROBE/ BG_L	Strobe signal for HEF 4094 on multi-mono sound panel		
MONO_OUT	Audio mono out		
NTSC	NTSC colour system		
PAL/SECAM	PAL or SECAM colour system		
R_TXT_OSD	Blue TXT or OSD signal from the microcomputer to the video controller IC72255C		

12 Spareparts list

Main carrier [A1-A5]

Various

0024Δ	4822 267 31858	Con. 1P
0011Δ	4822 265 20723	Con. 2P
0022Δ	4822 267 10774	Con. 2P
0055	4822 267 10775	Con. 2P
0044	4822 267 10538	Con. 3P
0088	4822 267 10542	Con. 4P
0030	4822 267 10537	Con. 5P
M9	4822 265 10422	Con. 9P (F-pin)
M11	4822 267 10421	Con. 19P (F-pin)
0231Δ	4822 267 60243	21P scart
0232	4822 265 10392	2P Cinch
0233	4822 267 10687	3P Cinch
0020	4822 267 31014	Headphone socket
0138Δ	4822 276 13603	Mains switch
Δ	4822 492 70289	Spring fix. Ts
Δ	4822 265 11253	Fuse holder
Δ	4822 492 70788	Spring fix. IC
Δ	4822 492 62076	

-II-

1000	4822 210 10812	VHF/UHF tuner
1000	4822 210 10815	UHF tuner
1002	4822 242 10743	OFWK6272K (38.9MHz)
1015	4822 242 10575	OFWJ1980M (38.9MHz)
1015	4822 242 70936	OFWJ1952 (38.9MHz)
1015	4822 242 81388	OFWG1961M (38.9MHz)
1015	4822 242 81436	OFWK3953M (38.9MHz)
1015	4822 242 81737	OFWG1965M (38.9MHz)
1015	4822 242 81964	OFWG1984M (38.9MHz)
1060	4822 276 13775	Switch
1061	4822 276 13775	Switch
1062	4822 276 13775	Switch
1063	4822 276 13775	Switch
1102	4822 242 10314	Filter 5,5MHz
1102	4822 242 10362	Filter 6,0MHz
1104	4822 242 10314	Filter 5,5MHz
1104Δ	4822 242 10316	Filter 6,5MHz
1104	4822 242 10362	Filter 6,0MHz
1204	4822 242 10434	X-tal 18,432MHz
1206	4822 242 81301	Filter 6,5MHz
1206	4822 242 81572	Filter 6,0MHz
1207	4822 242 81572	Filter 6,0MHz
1207	4822 242 81712	Filter 5,5/5,74MHz
1209	4822 242 10875	X-tal 40MHz
1275	4822 242 10356	X-tal 4,433619MHz
1277	4822 242 10355	X-tal 3,579545MHz
1500	4822 070 34002	Fuse 4A(desc)
1501	4822 242 81423	OFWL9453M (38.9MHz)
1560Δ	4822 071 51002	Fuse 1A
1560Δ	4822 071 56301	Fuse 300MA
1571Δ	4822 071 51602	Fuse 1.6A
1670	4822 218 11573	RC rec. GP1U28QP
1681	4822 242 10694	X-tal 12MHz

-II-

2008Δ	4822 126 13838	100nF 50V 20%
2010Δ	4822 124 40196	220μF 20% 16V
2010	4822 124 41545	220μF 20% 16V
2016Δ	4822 124 40433	47μF 20% 25V
2042	5322 122 32531	100pF 5% 50V
2043	5322 122 32531	100pF 5% 50V
2104Δ	4822 124 41579	10μF 20% 50V
2105Δ	4822 124 41579	10μF 20% 50V
2108	4822 124 40248	10μF 20% 63V
2108Δ	4822 124 41579	10μF 20% 50V
2110Δ	4822 124 41579	10μF 20% 50V
2115	4822 124 40255	100μF 20% 63V
2115	4822 124 81029	100μF 20% 25V
2116	4822 124 40255	100μF 20% 63V
2116	4822 124 81029	100μF 20% 25V
2117	4822 126 13695	82pF 1% 63V
2120	4822 126 10334	470pF 10% 50V
2121	4822 126 10334	470pF 10% 50V
2124	5322 122 32268	470pF 10% 50V
2125	5322 122 32268	470pF 10% 50V
2128Δ	4822 122 32627	2.7nF 10% 50V
2128	5322 126 10465	3.9nF 10% 50V
2130	5322 126 10511	1nF 5% 50V
2144	4822 124 40242	1μF 20% 63V
2145	5322 122 31863	330pF 5% 50V
2161Δ	4822 124 41579	10μF 20% 50V
2163	4822 126 13461	680pF 10% 50V
2164	4822 126 13461	680pF 10% 50V
2166	5322 122 32268	470pF 10% 50V
2167	4822 126 13461	680pF 10% 50V
2168	5322 122 32268	470pF 10% 50V

2169	5322 122 32268	470pF 10% 50V
2170	4822 126 13461	680pF 10% 50V
2171	4822 126 13461	680pF 10% 50V
2180	5322 122 32268	470pF 10% 50V
2198	4822 126 13512	330pF 10% 50V
2199	4822 126 13512	330pF 10% 50V
2200Δ	4822 126 13838	100nF 50V 20%
2201Δ	5322 122 32654	22nF 10% 63V
2202	4822 124 40242	1μF 20% 63V
2202	4822 124 41576	2.2μF 20% 50V
2203	4822 126 14087	100nF 10% 63V
2205	4822 124 11566	47μF 20% 50V
2205	4822 124 41751	47μF 20% 50V
2209Δ	4822 126 13838	100nF 50V 20%
2210	5322 122 32658	22pF 5% 50V
2211	4822 124 41576	2.2μF 20% 50V
2212Δ	5322 122 32654	22nF 10% 63V
2213	4822 126 13061	220nF 20% 25V
2213	4822 126 13692	47pF 1% 63V
2214	4822 122 33926	12pF 50V
2214Δ	4822 126 13838	100nF 50V 20%
2215	4822 126 13061	220nF 20% 25V
2215	4822 126 13692	47pF 1% 63V
2216	4822 126 13473	220nF 80-20% 50V
2217	4822 124 41584	100μF 20% 10V
2217	4822 126 13473	220nF 80-20% 50V
2218	5322 122 32967	5.6pF 10% 63V
2220	4822 126 13473	220nF 80-20% 50V
2221	4822 126 13473	220nF 80-20% 50V
2221Δ	4822 126 13838	100nF 50V 20%
2222Δ	4822 126 13838	100nF 50V 20%
2224	4822 123 14024	1000μF 16V 20%
2224Δ	4822 126 13838	100nF 50V 20%
2225	5322 122 32448	10pF 5% 50V
2226	4822 124 40242	1μF 20% 63V
2226	5322 122 32448	10pF 5% 50V
2227Δ	4822 126 13838	100nF 50V 20%
2228Δ	4822 124 41579	10μF 20% 50V
2229Δ	4822 124 41579	10μF 20% 50V
2230Δ	4822 124 41579	10μF 20% 50V
2231Δ	4822 126 13838	100nF 50V 20%
2234Δ	4822 124 41579	10μF 20% 50V
2235	5322 126 10511	1nF 5% 50V
2236	5322 126 10511	1nF 5% 50V
2237	4822 126 13561	220nF 10% 16V
2238	4822 126 13561	220nF 10% 16V
2240	4822 126 14087	100nF 10% 63V
2241Δ	4822 124 40246	4.7μF 20% 63V
2241	4822 126 13561	220nF 10% 16V
2242Δ	4822 126 13838	100nF 50V 20%
2242Δ	5322 122 32654	22nF 10% 63V
2243	5322 126 10511	1nF 5% 50V
2244	5322 126 10511	1nF 5% 50V
2245	4822 124 41751	47μF 20% 50V
2246	5322 122 32448	10pF 5% 50V
2247	5322 126 10511	1nF 5% 50V
2248	4822 124 81151	22μF 50V
2248	5322 126 10511	1nF 5% 50V
2249	5322 126 10511	1nF 5% 50V
2250	4822 124 41751	47μF 20% 50V
2251	4822 122 33216	270pF 5% 50V
2251	5322 122 32448	10pF 5% 50V
2252Δ	4822 124 41579	10μF 20% 50V
2252Δ	5322 122 32654	22nF 10% 63V
2253Δ	5322 126 10223	4.7nF 10% 63V
2254Δ	5322 122 32654	22nF 10% 63V
2254Δ	5322 126 10223	4.7nF 10% 63V
2255Δ	4822 124 41579	10μF 20% 50V
2256	4822 126 13561	220nF 10% 16V
2257	4822 124 22263	220μF 20% 25V
2260Δ	4822 124 40246	4.7μF 20% 63V
2260	4822 124 40255	100μF 20% 63V
2260Δ	4822 124 41579	10μF 20% 50V
2261	4822 124 40255	100μF 20% 63V
2261Δ	5322 122 32654	22nF 10% 63V
2262Δ	4822 124 41579	10μF 20% 50V
2263Δ	4822 124 41579	10μF 20% 50V
2264	4822 124 81029	100μF 20% 25V
2265	4822 126 13561	220nF 10% 16V
2266	4822 126 13561	220nF 10% 16V
2267	4822 126 13561	220nF 10% 16V
2268	4822 121 42868	220nF 5% 50V
2271	5322 126 10511	1nF 5% 50V
2272	5322 122 33446	3.3nF 10% 63V
2272	5322 126 10511	1nF 5% 50V
2273	4822 126 13561	220nF 10% 16V
2273Δ	4822 126 14087	100nF 10% 63V
2274Δ	4822 126 13838	100nF 50V 20%
2275	4822 126 13486	15pF 2% 63V
2276	4822 126 13694	68pF 1% 63V
2277	4822 126 13486	15pF 2% 63V
2277	4822 126 13694	68pF 1% 63V
2278	5322 126 10511	1nF 5% 50V
2279	5322 126 10511	1nF 5% 50V
2280	5322 126 10511	1nF 5% 50V
2281	5322 126 10511	1nF 5% 50V
2283	4822 126 13751	47nF 10% 63V
2284	4822 126 13751	47nF 10% 63V
2285	4822 126 13751	47nF 10% 63V
2403	4822 124 40242	1μF 20% 63V
2406	4822 122 33127	2.2nF 10% 63V
2409Δ	5322 126 10223	4.7nF 10% 63V
2410	5322 121 42386	100nF 5% 63V
2414	4822 121 42868	220nF 5% 50V

2420	5322 121 42386	100nF 5% 63V
2421Δ	4822 124 41579	10μF 20% 50V
2422	5322 121 42386	100nF 5% 63V
2430Δ	4822 124 41579	10μF 20% 50V
2434Δ	4822 126 13838	100nF 50V 20%
2436	5322 126 10511	1nF 5% 50V
2437	5322 126 10511	1nF 5% 50V
2440	4822 121 70654	2N210 50V
2442	4822 126 13473	220nF 80-20% 50V
2443	4822 124 80791	470μF 16V 20%
2444	4822 121 51319	1μF 10% 63V
2445Δ	4822 121 70617	10nF 5% 1.6KV
2445Δ	4822 121 70649	9.1nF 5% 1.6KV
2447Δ	4822 126 14078	220pF 10% 2KV
2448	4822 121 43368	47μF 160V
2450	4822 121 05057	250V 470nF 5%
2450Δ	4822 121 10518	250V 390nF 5%
2451	4822 121 51319	1μF 10% 63V
2452	4822 124 80195	470μF 20% 10V
2453	4822 124 80791	470μF 16V 20%
2456	4822 124 80069	1μF 20% 160V
2460	4822 121 51385	33nF 20% 100V
2461	4822 126 11131	18pF 5% 50V
2461	4822 126 13645	27P 50V
2462	4822 126 13866	4.7nF 10% 1KV
2462	4822 126 14079	2.2nF 10% 1KV
2463	4822 124 40255	100μF 20% 63V
2464Δ	4822 126 13838	100nF 50V 20%
2465	5322 126 10184	680P 5% 50V.
2466Δ	4822 122 33172	390pF 5% 50V
2467	5322 126 10184	680P 5% 50V.
2468Δ	4822 126 13838	100nF 50V 20%
2469	4822 126 14237	470pF 10% 2KV
2470	4822 124 11845	22μF 20% 250V
2471	4822 122 30043	10nF 80% 63V
2476Δ	4822 122 33172	390pF 5% 50V
2480	4822 123 14024	1000μF 16V 20%
2485	5322 126 10184	680P 5% 50V.
2487	5322 126 10184	680P 5% 50V.
2500Δ	4822 126 13589	470nF 275V
2501	4822 121 10686	4.7nF 10% 50V
2502Δ	4822 124 40246	4.7μF 20% 63V
2502Δ	4822 126 12793	2.2nF 10% 2KV
2503Δ	4822 124 40246	4.7μF 20% 63V
2504	4822 121 42868	220nF 5% 50V
2504Δ	4822 126 12793	2.2nF 10% 2KV
2505	4822 124 41576	2.2μF 20% 50V
2505Δ	4822 126 12793	2.2nF 10% 2KV
2506Δ	4822 124 41579	10μF 20% 50V
2507Δ	4822 124 41579	10μF 20% 50V
2508Δ	4822 124 41556	100μF 20% 385V
2508	4822 124 41576	2.2μF 20% 50V
2509Δ	4822 124 41579	10μF 20% 50V
2509	4822 126 13517	820pF 10% 1000V
2510Δ	4822 124 41579	10μF 20% 50V
2510	4822 126 13517	820pF 10% 1000V
2511Δ</		

3218	4822 117 10833	10k 1% 0.1W
3218	4822 117 11507	6k8 1% 0.1W
3220	4822 116 52175	100Ω 5% 0.5W
3221	4822 116 52175	100Ω 5% 0.5W
3223	4822 116 83864	10k 5% 0.5W
3224	4822 051 20564	560k 5% 0.1W
3224	4822 117 10834	47k 1% 0.1W
3225	4822 051 20569	56Ω 5% 0.1W
3227	4822 051 20569	56Ω 5% 0.1W
3229	4822 051 20561	560Ω 5% 0.1W
3229	4822 051 20569	56Ω 5% 0.1W
3230	4822 117 10834	47k 1% 0.1W
3233	4822 117 11449	2k2 1% 0.1W
3234Δ	4822 052 10228	202 5% 0.33W
3234	4822 117 10834	47k 1% 0.1W
3235	4822 117 10834	47k 1% 0.1W
3238	4822 051 20561	560Ω 5% 0.1W
3239	4822 117 11449	2k2 1% 0.1W
3240	4822 051 20333	33k 5% 0.1W
3242	4822 051 20333	33k 5% 0.1W
3243	4822 117 11437	8k2 1% 0.1W
3244	4822 117 11154	1k 1% 0.1W
3246	4822 116 83864	10k 5% 0.5W
3247Δ	4822 052 10109	10Ω 5% 0.33W
3248Δ	4822 051 20471	470Ω 5% 0.1W
3250	4822 116 52256	2k2 5% 0.5W
3250	4822 117 10833	10k 1% 0.1W
3250Δ	4822 117 11846	10k 5% 1/16W
3251	4822 051 20681	680Ω 5% 0.1W
3251	4822 116 83864	10k 5% 0.5W
3252Δ	4822 051 20109	10Ω 5% 0.1W
3252Δ	4822 051 20332	3k3 5% 0.1W
3253Δ	4822 051 20109	10Ω 5% 0.1W
3253Δ	4822 051 20153	15k 5% 0.1W
3254	4822 116 83864	10k 5% 0.5W
3254	4822 117 11503	220Ω 1% 0.1W
3265	4822 051 20122	1k2 5% 0.1W
3265	4822 051 20561	560Ω 5% 0.1W
3266	4822 050 11002	1k 1% 0.4W
3267	4822 116 52264	27k 5% 0.5W
3267	4822 116 83884	47k 5% 0.5W
3273	4822 051 20104	100k 5% 0.1W
3280	4822 051 20561	560Ω 5% 0.1W
3401Δ	4822 050 24708	407 1% 0.6W
3401	5322 116 53564	30k3 5% 0.5W
3402Δ	4822 050 24708	407 1% 0.6W
3402	5322 116 53564	30k3 5% 0.5W
3403Δ	4822 051 20153	15k 5% 0.1W
3404	4822 050 22202	2k2 1% 0.6W
3406	4822 116 83872	220Ω 5% 0.5W
3407	4822 116 83872	220Ω 5% 0.5W
3410	4822 051 20393	39k 5% 0.1W
3411	4822 050 22202	2k2 1% 0.6W
3412	4822 117 10833	10k 1% 0.1W
3413Δ	4822 052 10158	1025 5% 0.33W
3415	4822 051 10102	1k 2% 0.25W
3417	4822 051 10102	1k 2% 0.25W
3418	4822 116 52234	100k 5% 0.5W
3420	4822 051 20223	22k 5% 0.1W
3421	4822 117 11149	82k 1% 0.1W
3422	4822 051 20223	22k 5% 0.1W
3423	4822 051 10102	1k 2% 0.25W
3430Δ	4822 052 10478	407 5% 0.33W
3431	4822 052 10152	1k5 5% 0.33W
3431Δ	4822 052 10472	4k7 5% 0.33W
3432	4822 052 10152	1k5 5% 0.33W
3432Δ	4822 052 10472	4k7 5% 0.33W
3433	4822 116 52271	33k 5% 0.5W
3434	4822 117 10833	10k 1% 0.1W
3435	4822 116 83878	270k 5% 0.5W
3436	4822 050 11002	1k 1% 0.4W
3437	4822 050 11002	1k 1% 0.4W
3440	4822 051 10102	1k 2% 0.25W
3441	4822 051 20124	120k 5% 0.1W
3442	4822 116 52186	22Ω 5% 0.5W
3443	4822 051 20561	560Ω 5% 0.1W
3444	4822 117 12819	10k 5% 3W
3445	4822 117 12624	10Ω 5% 2W
3446	4822 050 21502	1k5 1% 0.6W
3447	4822 050 11002	1k 1% 0.4W
3448	4822 117 12822	407 5% 5W
3449Δ	4822 052 11108	1Ω 5% 0.5W
3450Δ	4822 052 10278	207 5% 0.33W
3451Δ	4822 052 10228	202 5% 0.33W
3456	4822 116 52297	68k 5% 0.5W
3457	4822 116 52297	68k 5% 0.5W
3458	4822 116 52297	68k 5% 0.5W
3459Δ	4822 050 21202	1k2 1% 0.6W
3460Δ	4822 050 21503	15k 1% 0.6W
3460	4822 116 52251	18k 5% 0.5W
3461	4822 051 20273	27k 5% 0.1W
3462Δ	4822 117 12513	4k7 5% 3W
3470Δ	4822 052 11478	407 5% 0.5W
3471	4822 053 11399	39Ω 5% 2W
3480Δ	4822 052 10109	10Ω 5% 0.33W
3481	4822 117 12821	220Ω 5% 1W
3490	4822 051 20105	1M 5% 0.1W
3491	4822 117 12955	2k7 1% 0.1W 0805
3500	4822 116 21228	VDR 430V-710V
3501	4822 116 83864	10k 5% 0.5W
3501	4822 117 12181	470Ω 20% 0.5W
3502	4822 116 52256	2k2 5% 0.5W
3503	4822 116 52256	2k2 5% 0.5W
3504Δ	4822 116 40137	PTC 36Ω 365V
3504	4822 116 52256	2k2 5% 0.5W
3505	4822 116 83864	10k 5% 0.5W
3505	4822 252 60151	470Ω
3506	4822 116 52175	100Ω 5% 0.5W
3506	4822 117 12822	407 5% 5W
3507	4822 117 12654	100Ω 5% 5W
3508	4822 116 52176	100Ω 5% 0.5W
3509	4822 116 52257	22k 5% 0.5W
3510	4822 116 52244	15k 5% 0.5W
3510	4822 117 12647	33k 5% 3W
3511	4822 116 52283	4k7 5% 0.5W
3512	4822 050 11002	1k 1% 0.4W
3512Δ	4822 051 20153	15k 5% 0.1W
3513	4822 051 20184	180k 5% 0.1W
3513	4822 116 52291	56k 5% 0.5W
3514	4822 116 52234	100k 5% 0.5W
3515	4822 116 52256	2k2 5% 0.5W
3516	4822 116 52243	1k5 5% 0.5W
3517	4822 116 52243	1k5 5% 0.5W
3517	4822 117 10833	10k 1% 0.1W
3518	4822 116 52256	2k2 5% 0.5W
3518	4822 117 10422	0.33Ω 5% 3W
3519	4822 116 52234	100k 5% 0.5W
3520	4822 116 52291	56k 5% 0.5W
3520	4822 117 11149	82k 1% 0.1W
3521	4822 050 11002	1k 1% 0.4W
3521	4822 116 52219	330Ω 5% 0.5W
3522	4822 116 52244	15k 5% 0.5W
3523	4822 050 11002	1k 1% 0.4W
3524	4822 050 11002	1k 1% 0.4W
3524Δ	4822 051 20008	0Ω jumper
3525Δ	4822 052 10229	22Ω 5% 0.33W
3525	4822 116 83876	270Ω 5% 0.5W
3526	4822 050 11002	1k 1% 0.4W
3527	4822 116 52289	5k6 5% 0.5W
3528	4822 116 52238	12k 5% 0.5W
3528	4822 116 83868	150Ω 5% 0.5W
3529Δ	4822 050 24708	407 1% 0.6W
3529	4822 116 83883	470Ω 5% 0.5W
3530	4822 116 52276	3k9 5% 0.5W
3530	4822 116 83961	6k8 5%
3531	4822 116 52249	1k8 5% 0.5W
3532	4822 051 20562	5k6 5% 0.1W
3532	4822 116 52249	1k8 5% 0.5W
3533	4822 116 83872	220Ω 5% 0.5W
3534	4822 051 20224	220k 5% 0.1W
3534	4822 116 52228	680Ω 5% 0.5W
3536	4822 051 20393	39k 5% 0.1W
3536	4822 116 83961	6k8 5%
3537	4822 116 52269	3k3 5% 0.5W
3537	4822 117 10833	10k 1% 0.1W
3538	4822 116 52234	100k 5% 0.5W
3539	4822 116 52251	18k 5% 0.5W
3539	4822 116 52276	3k9 5% 0.5W
3540	4822 101 11189	4.7k 30%LIN 0.1W
3540	4822 116 52256	2k2 5% 0.5W
3540	4822 116 52257	2k2 5% 0.5W
3541	4822 117 12653	47Ω 5% 2W
3542Δ	4822 053 21475	4M7 5% 0.5W
3545Δ	4822 053 21475	4M7 5% 0.5W
3546Δ	4822 053 21475	4M7 5% 0.5W
3552Δ	4822 051 20332	3k3 5% 0.1W
3553Δ	4822 051 20121	120Ω 5% 0.1W
3554	4822 117 11139	1k5 1% 0.1W
3565	4822 117 10833	10k 1% 0.1W
3570Δ	4822 051 20109	10Ω 5% 0.1W
3601	4822 116 90885	8k2X6
3602	4822 117 12168	2k2 X 6
3603	4822 117 12167	8k2 X 12
3607	4822 051 20822	8k2 5% 0.1W
3608	4822 116 52234	100k 5% 0.5W
3610	4822 117 10833	10k 1% 0.1W
3612	4822 051 20224	220k 5% 0.1W
3613	4822 116 83868	150Ω 5% 0.5W
3614Δ	4822 051 20153	15k 5% 0.1W
3615	4822 116 83864	10k 5% 0.5W
3616	4822 051 20223	22k 5% 0.1W
3617	4822 116 52238	12k 5% 0.5W
3618	4822 116 52244	15k 5% 0.5W
3621Δ	4822 051 20101	100Ω 5% 0.1W
3622Δ	4822 051 20101	100Ω 5% 0.1W
3623	4822 117 10833	10k 1% 0.1W
3624Δ	4822 051 20101	100Ω 5% 0.1W
3625Δ	4822 051 20101	100Ω 5% 0.1W
3628Δ	4822 051 20101	100Ω 5% 0.1W
3629	4822 117 11449	2k2 1% 0.1W
3630	4822 051 10102	1k 2% 0.25W
3630	4822 117 11139	1k5 1% 0.1W
3632	4822 117 10833	10k 1% 0.1W
3633	4822 116 83864	10k 5% 0.5W
3634	4822 116 52283	4k7 5% 0.5W
3636	4822 116 83864	10k 5% 0.5W
3637	4822 116 52256	2k2 5% 0.5W
3640	4822 117 10833	10k 1% 0.1W
3641	4822 117 10833	10k 1% 0.1W
3653	4822 051 20105	1M 5% 0.1W
3654	4822 051 20822	8k2 5% 0.1W
3655	4822 116 52175	100Ω 5% 0.5W
3656Δ	4822 051 20471	470Ω 5% 0.1W
3657	4822 116 52175	100Ω 5% 0.5W
3660	4822 051 10102	1k 2% 0.25W
3661	4822 051 10102	1k 2% 0.25W
3662	4822 051 10102	1k 2% 0.25W
3663	4822 051 20331	330Ω 5% 0.1W
3664Δ	4822 051 20008	0Ω jumper
3666	4822 051 20273	27k 5% 0.1W
3667	4822 051 20122	1k2 5% 0.1W
3670	4822 116 52175	100Ω 5% 0.5W
3671Δ	4822 051 20332	3k3 5% 0.1W
3674	4822 116 52283	4k7 5% 0.5W
3681	4822 116 83864	10k 5% 0.5W
3684	4822 117 10833	10k 1% 0.1W
3685	4822 116 52297	68k 5% 0.5W
3686	4822 051 20333	33k 5% 0.1W
3690	4822 116 52249	1k8 5% 0.5W
3693	4822 117 11503	220Ω 1% 0.1W
3694	4822 051 20182	1k8 5% 0.1W
3695	4822 051 20182	1k8 5% 0.1W
3696	4822 051 20182	1k8 5% 0.1W
3698	4822 051 10102	1k 2% 0.25W
4xxx	4822 051 10008	0Ω 5% 0.25W
4xxx	4822 051 20008	0Ω 5% 0.25W
5010	4822 157 11533	390μH 10%
5010	4822 157 11615	220μH
5010	4822 157 63065	0.68μH
5128	4822 157 53575	3.3μH
5201Δ	4822 157 53941	100μH
5203	4822 157 50961	22μH
5203	4822 157 53139	4.7μH
5204Δ	4822 157 51462	10μH
5205Δ	4822 157 51462	10μH
5206	4822 153 20251	18μH 10%
5206Δ	4822 156 21721	2.2μH
5206	4822 157 53634	5.6μH 10%
5207Δ	4822 157 51462	10μH
5260	4822 157 11534	Coil 78MHz
5260	4822 157 11607	Coil 38.9MHz
5441Δ	4822 157 11076	Linearity coil
5441	4822 157 11539	Linearity cor. coil
5442	4822 157 53139	4.7μH
5445Δ	4822 140 10634	LOT for 17" CRT
5445Δ	4822 140 10637	LOT for 21" CRT
5451	4822 157 11167	47μH 5%
5456	4822 156 20915	33μH
5457	4822 156 20915	33μH
5458	4822 156 20915	33μH
5500Δ	4822 157 11399	30mH
5501	4822 152 20678	33μH
5516</		

12 Spareparts list

2333	4822 126 10326	180pF 5% 63V
2341	4822 121 41689	100nF 10% 250V
2342Δ	4822 124 11508	22μF 250V 20%
2373	4822 121 41926	33nF 5% 630V



3311	4822 050 11002	1k 1% 0.4W
3313	4822 051 20479	47Ω 5% 0.1W
3314	4822 117 12818	18k 5% 3W
3315Δ	4822 052 10331	330Ω 5% 0.33W
3316Δ	4822 052 10221	220Ω 5% 0.33W
3317	4822 117 11896	1k5 20% 0.5W
3321	4822 051 10102	1k 2% 0.25W
3322Δ	4822 051 20471	470Ω 5% 0.1W
3322	4822 117 11452	430Ω 1% 0.1W
3323	4822 051 20479	47Ω 5% 0.1W
3324	4822 117 12818	18k 5% 3W
3325Δ	4822 052 10331	330Ω 5% 0.33W
3326Δ	4822 052 10221	220Ω 5% 0.33W
3327	4822 117 11896	1k5 20% 0.5W
3331	4822 051 10102	1k 2% 0.25W
3332Δ	4822 051 20471	470Ω 5% 0.1W
3332	4822 117 11452	430Ω 1% 0.1W
3333	4822 051 20479	47Ω 5% 0.1W
3334	4822 117 12818	18k 5% 3W
3335Δ	4822 052 10331	330Ω 5% 0.33W
3336Δ	4822 052 10221	220Ω 5% 0.33W
3337	4822 117 11896	1k5 20% 0.5W
3341Δ	4822 052 11109	10Ω 5% 0.5W
3342	4822 116 83874	220k 5% 0.5W
3347Δ	4822 052 10102	1k 5% 0.33W
3371Δ	4822 052 10108	1Ω 5% 0.33W
3371Δ	4822 052 10278	2Ω 5% 0.33W
3372Δ	4822 052 10108	1Ω 5% 0.33W
3372Δ	4822 052 10278	2Ω 5% 0.33W
3374	4822 117 11896	1k5 20% 0.5W
3312Δ	4822 051 20471	470Ω 5% 0.1W
3312	4822 117 11452	430Ω 1% 0.1W



5370	4822 157 50961	22μH
5370	4822 157 70468	56μH



6311	4822 130 30842	BAV21
6321	4822 130 30842	BAV21
6331Δ	4822 130 30621	1N4148
6332	4822 130 30842	BAV21
6341Δ	4822 130 30621	1N4148
6347	4822 130 34382	BZX79-B8V2



7301	4822 130 41782	BF422
7302	4822 130 41782	BF422
7303	4822 130 41782	BF422
7304	4822 130 41646	BF423
7305	4822 130 41782	BF422
7306	4822 130 41646	BF423
7307	4822 130 41782	BF422
7308	4822 130 41646	BF423
7309	4822 130 41782	BF422

Mono panel [C]

Various

1020	4822 212 11558	Audio panel Mono + AM sound
1020	4822 212 11559	Audio panel Mono no AM sound
	4822 267 10755	Con 19P
	4822 267 10537	Con 5P
	4822 492 70788	Spring fix. IC
1501	4822 242 81423	Filter OFWL9453M (38.9MHz)



2501	4822 121 10686	4.7nF 10% 50V
2502Δ	4822 124 40246	4.7μF 20% 63V
2503Δ	4822 124 40246	4.7μF 20% 63V
2504	4822 121 42868	220nF 5% 50V
2505	4822 124 41576	2.2μF 20% 50V
2506Δ	4822 124 41579	10μF 20% 50V
2507Δ	4822 124 41579	10μF 20% 50V
2508	4822 124 41576	2.2μF 20% 50V
2509Δ	4822 124 41579	10μF 20% 50V
2510Δ	4822 124 41579	10μF 20% 50V
2511Δ	4822 124 41579	10μF 20% 50V
2512Δ	4822 121 43996	33nF 5% 50V
2514	4822 121 51472	39nF 5% 250V
2515Δ	4822 121 43823	470nF 5% 50V

2516	4822 121 43925	2.2nF 5% 50V
2517	4822 124 81029	100μF 20% 25V
2518	4822 121 42868	220nF 5% 50V
2519	5322 121 42386	100nF 5% 63V
2520	4822 124 22263	220μF 20% 25V
2521	4822 121 10686	4.7nF 10% 50V
2522Δ	4822 124 41579	10μF 20% 50V
2523	4822 124 81029	100μF 20% 25V
2524	4822 121 42868	220nF 5% 50V



3501	4822 116 83864	10k 5% 0.5W
3502	4822 116 52256	2k2 5% 0.5W
3503	4822 116 52256	2k2 5% 0.5W
3504	4822 116 52256	2k2 5% 0.5W
3505	4822 116 83864	10k 5% 0.5W
3506	4822 116 52175	100Ω 5% 0.5W
3508	4822 116 52176	10Ω 5% 0.5W
3509	4822 116 52257	22k 5% 0.5W
3510	4822 116 52244	15k 5% 0.5W
3511	4822 116 52283	4k7 5% 0.5W
3512	4822 050 11002	1k 1% 0.4W
3513	4822 116 52291	56k 5% 0.5W
3514	4822 116 52234	100k 5% 0.5W
3515	4822 116 52256	2k2 5% 0.5W
3516	4822 116 52243	1k5 5% 0.5W
3517	4822 116 52243	1k5 5% 0.5W
3518	4822 116 52256	2k2 5% 0.5W
3519	4822 116 52234	100k 5% 0.5W
3520	4822 116 52291	56k 5% 0.5W
3521	4822 050 11002	1k 1% 0.4W
3522	4822 116 52244	15k 5% 0.5W
3523	4822 050 11002	1k 1% 0.4W
3524	4822 050 11002	1k 1% 0.4W
3525	4822 116 83876	270Ω 5% 0.5W
3526	4822 050 11002	1k 1% 0.4W
3527	4822 116 52289	5k6 5% 0.5W
3528	4822 116 52238	12k 5% 0.5W
3529	4822 116 83883	470Ω 5% 0.5W
3530	4822 116 83961	6k8 5%
3531	4822 116 52249	1k8 5% 0.5W
3532	4822 116 52249	1k8 5% 0.5W
3533	4822 116 83872	220Ω 5% 0.5W
3534	4822 116 52228	680Ω 5% 0.5W
3536	4822 116 83961	6k8 5%
3537	4822 116 52269	3k3 5% 0.5W
3539	4822 116 52276	3k9 5% 0.5W
3540	4822 116 52256	2k2 5% 0.5W
3540	4822 116 52257	22k 5% 0.5W



5501	4822 152 20678	33μH
------	----------------	------



6501Δ	4822 130 30621	1N4148
6502Δ	4822 130 30621	1N4148
6503Δ	4822 130 30621	1N4148
6504Δ	4822 130 30621	1N4148
6505Δ	4822 130 30621	1N4148



7501	4822 209 31555	TDA9830/V1
7502	4822 209 90462	TDA7056B/N1
7503	4822 130 40937	BC548B
7504	4822 130 40937	BC548B
7505	4822 130 40937	BC548B
7506Δ	4822 130 44197	BC558B
7507Δ	4822 130 44197	BC558B
7508	4822 130 40937	BC548B
7509	4822 130 40937	BC548B
7510	4822 130 40937	BC548B
7511	4822 130 40937	BC548B
7512	4822 130 40937	BC548B
7513	4822 130 40937	BC548B
7514	4822 130 40937	BC548B
7515	4822 130 40937	BC548B

Nicam +2CS panel [D]

Various

1020	4822 212 11561	Nicam panel + AM Sound
1020	4822 212 11562	Nicam panel no AM sound
1020	4822 212 11563	2CS stereo panel
	4822 267 10755	Con. 19P
	4822 267 10537	Con. 5P
Δ	4822 492 62076	Spring fix IC
1202	4822 242 10688	OFWK9456M 38.9MHZ
1203	4822 242 81436	OFWK3953M 38.9MHz

1204	4822 242 10434	X-tal 18,432MHz
------	----------------	-----------------



2201	4822 126 13693	56pF 1% 63V
2202Δ	4822 126 13838	100nF 50V 20%
2203	4822 124 41576	2.2μF 20% 50V
2206	4822 126 13473	220nF 80-20% 50V
2207	4822 126 13751	47nF 10% 63V
2208	4822 124 41576	2.2μF 20% 50V
2210	5322 122 32658	22pF 5% 50V
2213	4822 126 13692	47pF 1% 63V
2214	4822 122 33926	12pF 50V
2215	4822 126 13692	47pF 1% 63V
2216	4822 126 13473	220nF 80-20% 50V
2217	4822 126 13473	220nF 80-20% 50V
2220	4822 126 13473	220nF 80-20% 50V
2221	4822 126 13473	220nF 80-20% 50V
2224Δ	4822 126 13838	100nF 50V 20%
2225	5322 122 32448	10pF 5% 50V
2226	5322 122 32448	10pF 5% 50V
2227Δ	4822 126 13838	100nF 50V 20%
2228Δ	4822 124 41579	10μF 20% 50V
2229Δ	4822 124 41579	10μF 20% 50V
2230Δ	4822 124 41579	10μF 20% 50V
2231Δ	4822 126 13838	100nF 50V 20%
2234Δ	4822 124 41579	10μF 20% 50V
2235	5322 126 10511	1nF 5% 50V
2236	5322 126 10511	1nF 5% 50V
2237	4822 126 13561	220nF 10% 16V
2238	4822 126 13561	220nF 10% 16V
2241Δ	4822 124 40246	4.7μF 20% 63V
2242Δ	4822 126 13838	100nF 50V 20%
2243	5322 126 10511	1nF 5% 50V
2244	5322 126 10511	1nF 5% 50V
2245	4822 124 41751	47μF 20% 50V
2246	5322 122 32448	10pF 5% 50V
2247	5322 126 10511	1nF 5% 50V
2248	4822 124 81151	22μF 50V
2249	5322 126 10511	1nF 5% 50V
2250	4822 124 41751	47μF 20% 50V
2251	5322 122 32448	10pF 5% 50V
2252Δ	4822 124 41579	10μF 20% 50V
2253Δ	5322 126 10223	4.7nF 10% 63V
2254Δ	5322 126 10223	4.7nF 10% 63V
2255Δ	4822 124 41579	10μF 20% 50V
2256	4822 126 13561	220nF 10% 16V
2257	4822 124 22263	220μF 20% 25V
2260	4822 124 40255	100μF 20% 63V
2261	4822 124 40255	100μF 20% 63V
2262Δ	4822 124 41579	10μF 20% 50V
2263Δ	4822 124 41579	10μF 20% 50V
2264	4822 124 81029	100μF 20% 25V
2265	4822 126 13561	220nF 10% 16V
2266	4822 126 13561	220nF 10% 16V
2267	4822 126 13561	220nF 10% 16V
2268	4822 121 42868	220nF 5% 50V
2271	5322 126 10511	1nF 5% 50V
2272	5322 126 10511	1nF 5% 50V
2273	4822 126 13561	220nF 10% 16V
2274Δ	4822 126 13838	100nF 50V 20%
2276	4822 126 13694	68pF 1% 63V
2277	4822 126 13694	68pF 1% 63V
2278	5322 126 10511	1nF 5% 50V
2279	5322 126 10511	1nF 5% 50V
2280	5322 126 10511	1nF 5% 50V
2281	5322 126 10511	1nF 5% 50V



3201	4822 117 11449	2k2 1% 0.1W
3202	4822 117 10833	10k 1% 0.1W
3203	4822 117 11449	2k2 1% 0.1W
3207	4822 117 10833	10k 1% 0.1W
3211	4822 117 11449	2k2 1% 0.1W
3213	4822 116 83864	10k 5% 0.5W
3214	4822 051 20562	5k6 5% 0.1W
3215Δ	4822 051 20101	100Ω 5% 0.1W
3216	4822 116 52175	100Ω 5% 0.5W
3217	4822 116 52175	100Ω 5% 0.5W
3222	4822 051 20562	5k6 5% 0.1W
3224	4822 117 10834	47k 1% 0.1W
3229	4822 051 20561	560Ω 5% 0.1W
3230	4822 117 10834	47k 1% 0.1W
3233	4822 117 11449	2k2 1% 0.1W
3		